

# How Accurate is Our Network Measurement?

Rocky K. C. Chang, The Hong Kong Polytechnic University  
 RAIM, October 30, 2015

Who should care and why?

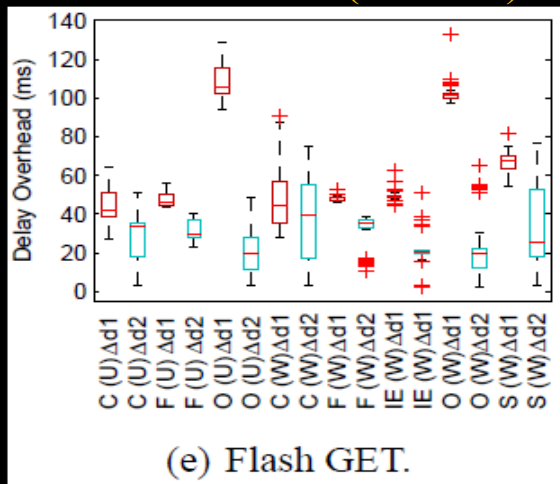
Impacts: Inflated and unstable delay measurement

Challenge #1: How to appraise the accuracy accurately?

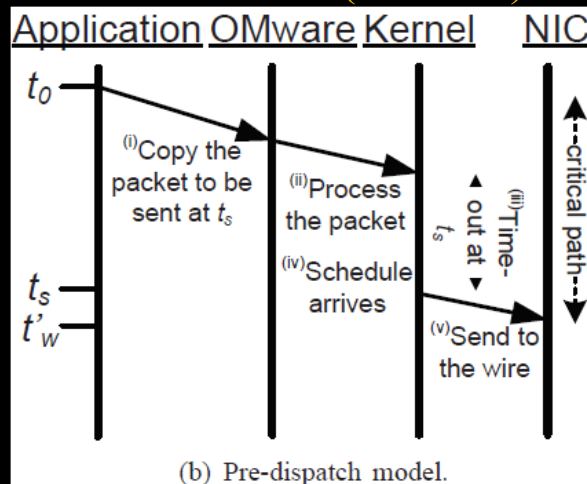
Challenge #2: What and where are the sources of the inaccuracy?

Challenge #3: How to increase the confidence of our measurement?

Browser-based measurement (IMC'13)



Lightweight probe measurement (PAM'15)



WiFi network measurement (INFOCOM'15)

