

# Calculating volumetric weight

For all UK and International despatches, where the price is based on the weight of the parcel or consignment, we calculate the volumetric weight of packages based upon their dimensions to determine the price you pay.

You can calculate the volumetric weight of your parcel by using the following:

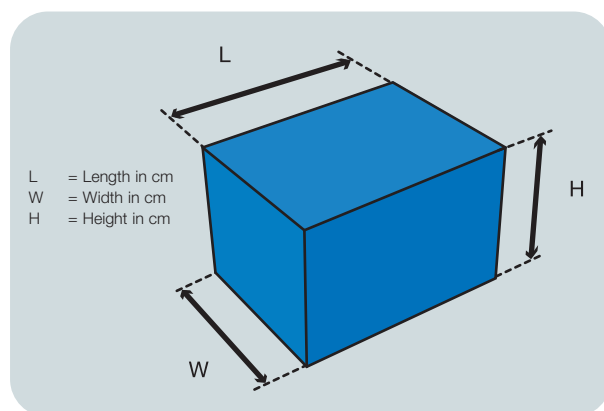
## Calculation

- Multiply the length x height x width of your parcel in centimetres.
- Divide the answer by 5,000.
- The result is the volumetric weight. This figure should be compared with the actual weight in kilogrammes. Whichever is the greater figure will be used to calculate your consignment price.
- Please note that you need to round all weights up to the next half kilogram.

### For example...

Assume the actual weight of your package is 8kg, and the dimensions are 30cm x 40cm x 50cm

$$\frac{30\text{cm} \times 40\text{cm} \times 50\text{cm}}{5000} = 12\text{kg}$$



The volumetric weight is therefore 12kg, which is greater than the actual weight of 8kg, and so the volumetric weight would be used in calculating the price to be charged.

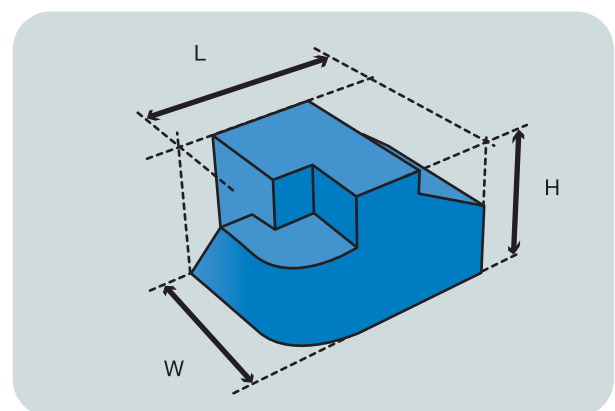
## Multiple parcel consignments

If you are sending more than one package in your international consignment, simply calculate the volumetric weight of each package as outlined above, then use the greater of the volumetric or actual weight for each package in order to get the total consignment weight for pricing.

### For example...

	Actual weight	Volumetric weight
Package 1	1.5kg	2.5kg
Package 2	4.5kg	2kg
Package 3	5kg	10kg

Total actual consignment weight is 11kg.  
Chargeable consignment weight is 17kg.



Please note that, if your package is irregularly shaped, the volumetric weight is calculated based on the dimensions of the smallest cubic shape the package will fit into.