

BRACING PLAN AT ELEVATION +2'-0"
SCALE 3/16"=1'-0"

GENERAL NOTES

- All work to be performed in accordance with the requirements of N.Y.C. Building Code.
- Dimensions may vary due to field conditions. Contact engineer with any discrepancy in dimensions on these drawings.
- Existing construction and utilities to be located prior to the start of tieback operations.
- Structural members shall have equivalent strength (or better) to those shown on the drawings.
- Steel to be 50 KSI steel (or better).
- Welding rods to be type E-70.
- Tangent Wall shall be drilled with lien cement grout to provide water tightness.
- Probe sidewalk and streets as necessary to locate unforeseen obstructions and utilities.
- No earthwork within the property line shall commence unless the permit holder notifies the Department at least twenty-four(24) hours but no more than forty-eight(48) hours prior to the commencement of such work.
- The Commissioner may issue a stop work order if there is a failure to provide notice as required in this section and if work is found to violate any of the provisions of the Building Code.

MONITORING NOTES

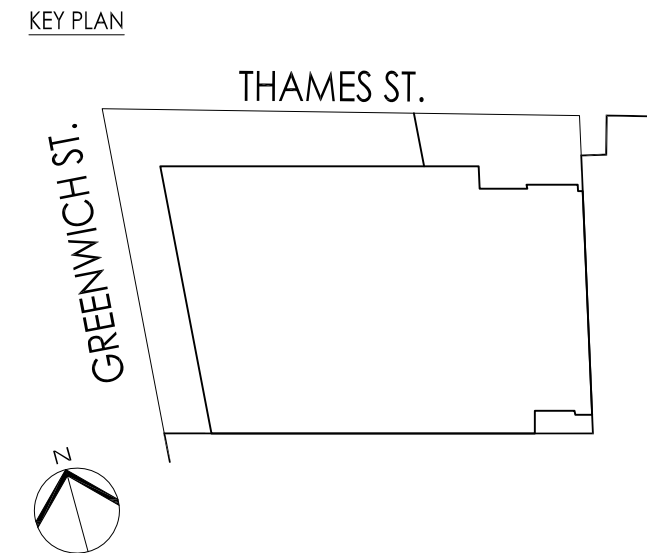
- OWNER SHALL PERFORM A PRE-CONSTRUCTION SURVEY (ASSESSMENT AND DOCUMENTATION OF EXISTING CONDITIONS) AND BENCHMARK SURVEYS OF ADJOINING PROPERTIES AND STRUCTURES.
- PRIOR TO START OF EXCAVATION INSTALL MONITORING POINTS AS SHOWN ON THIS DRAWING. ALL ADJACENT STRUCTURES SHALL BE MONITORED AND DEFLECTION IN ACCORDANCE WITH SECTION 3309.6 OF THE 2008 NEW YORK CITY CONSTRUCTION CODES. ADDITIONAL POINTS FOR HORIZONTAL AND VERTICAL MONITORING SHALL BE INSTALLED AT SOE STRUCTURES (TANGENT WALL).
- SUBMIT MONITORING DATA FOR REVIEW BY S.O.E. DESIGN APPLICANT BASED ON THE FOLLOWING CRITERIA:
 - OPTICAL DATA SHALL BE COLLECTED EVERY MONDAY, WEDNESDAY AND FRIDAY DURING THE EXCAVATION / S.O.E. PHASE AND FORWARDED TO S.O.E. DESIGN APPLICANT FOR REVIEW UNLESS OTHERWISE DIRECTED BY S.O.E. DESIGN APPLICANT.
 - ADDITIONAL MONITORING SHALL BE PERFORMED BY INDEPENDENT NYS LICENSED SURVEYOR.
 - NOTIFY SOE ENGINEER IF ANY MOVEMENT EXCEEDS 1/4".
 - ALL WORK SHALL BE STOPPED AND S.O.E. ENGINEER IMMEDIATELY SHOULD BE NOTIFIED IF ANY OF THE FOLLOWING THRESHOLDS BE MET:
 - *VERTICAL DEFLECTION OF ADJACENT STRUCTURE EXCEEDS 3/8"
 - *HORIZONTAL DEFLECTION SHALL BE ANALYZED IN COORDINATION WITH VERTICAL DEFLECTION BY EOR

SPECIAL INSPECTIONS:

Owner will engage and pay for independent testing agency to perform the following inspections:
concrete-cast in place BC1704.4,
excavation, shoring and bracing BC1704.19, BC3306.6.

KEY

- ③ = SECANT WALL PILE #
- ④ = TANGENT WALL PILE #
- ⑤ = 36"Ø CAISSON #
- ▲ = VIBRATION MONITORING POINTS (BY TA)
- ⑥ = OPTICAL MONITORING POINTS AT ADJACENT BUILDING

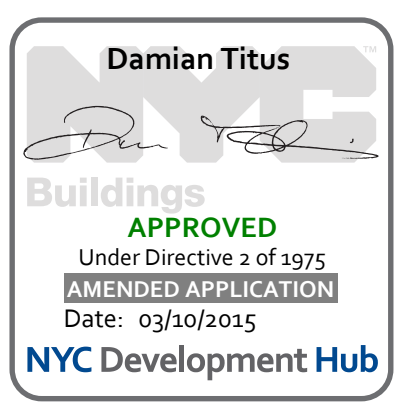


VS 125 LL c/o BIZZI & PARTNERS DEVELOPMENT LLC 55 East 59th Street New York, NY 10022
EXECUTIVE ARCHITECT SLCE ARCHITECTS, LLP 1359 Broadway New York, NY 10018 Tel: (212) 979-8400 Fax: (212) 979-8387
DESIGN ARCHITECT RAFAEL VINOLY ARCHITECTS PC 50 Vandam Street New York, NY 10013 Tel: 212 924 5559 Fax: 212 924 5558
STRUCTURAL ENGINEER DESIMONE CONSULTING ENGINEERS 18 West 18th Street New York, NY 10011 Tel: 212 532 2211 Fax: 212 481 6108
ME/P/E ENGINEER COSENTINI ASSOCIATES Two Pennsylvania Plaza New York, NY 10121 Tel: 212 615 3606 Fax: 212 615 3700
GEOTECH / CIVIL CONSULTANT LANGAN ENGINEERING 519 Fifer Drive Center 1 Elmwood Park, NJ 07407 Tel: 201 794 6900 Fax: 201 794 0386
VERTICAL TRANSPORTATION CONSULTANT VAN DUSEN & ASSOCIATES 5 Regents Street, Suite 524 Livingston, NJ 07039 Tel: 973 994 9220 Fax: 619 474 6757

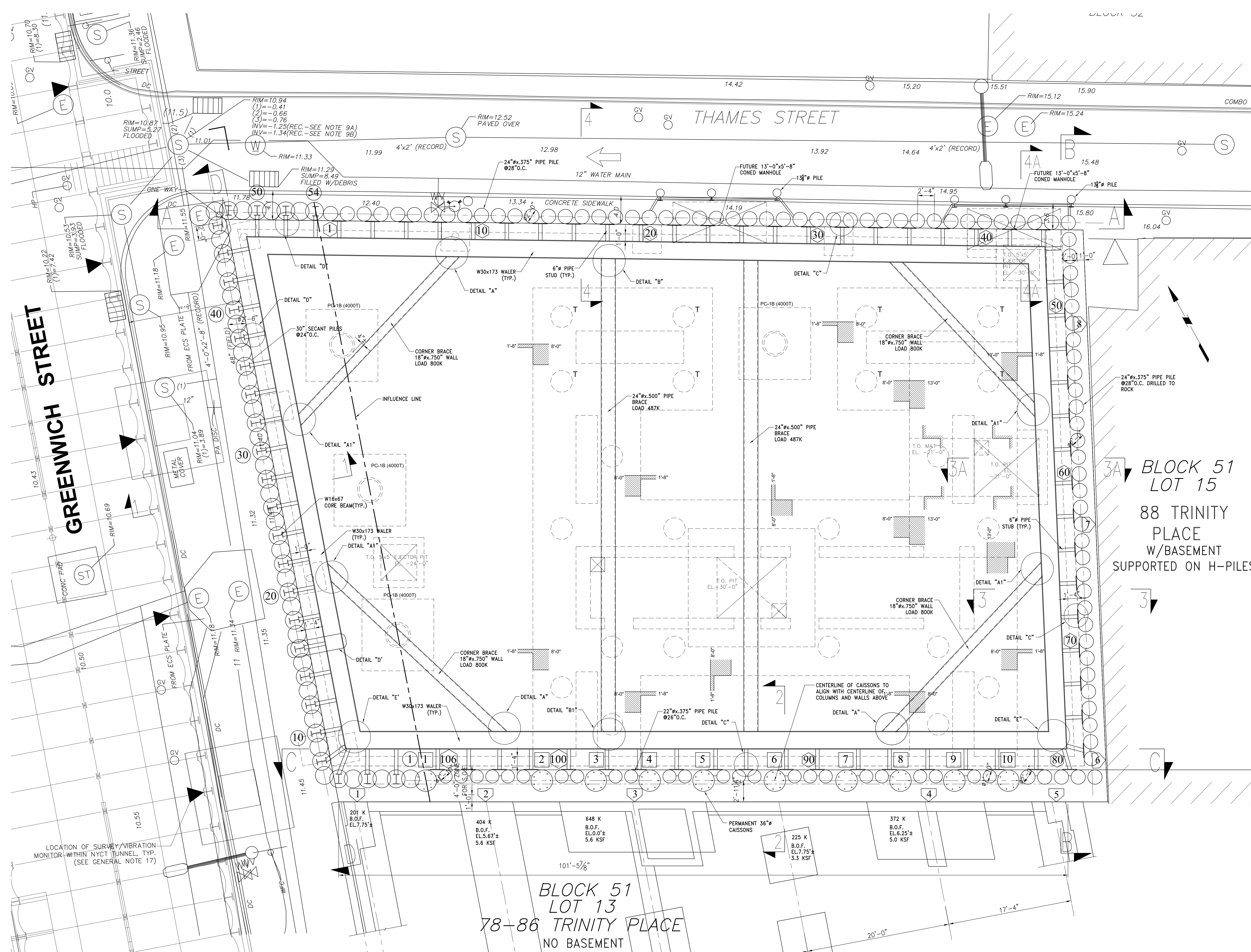
CONTRACTOR:
URBAN FOUNDATION/ ENGINEERING, LLC.
32-33 111th Street, P.O. Box 680158
East Elmhurst, New York, 11369
Phone: 718-478-3021 Fax: 718-397-1917

22 THAMES
NEW YORK, NY

SUPPORT OF EXCAVATION PLAN
BRACING AT ELEVATION +2'-0"



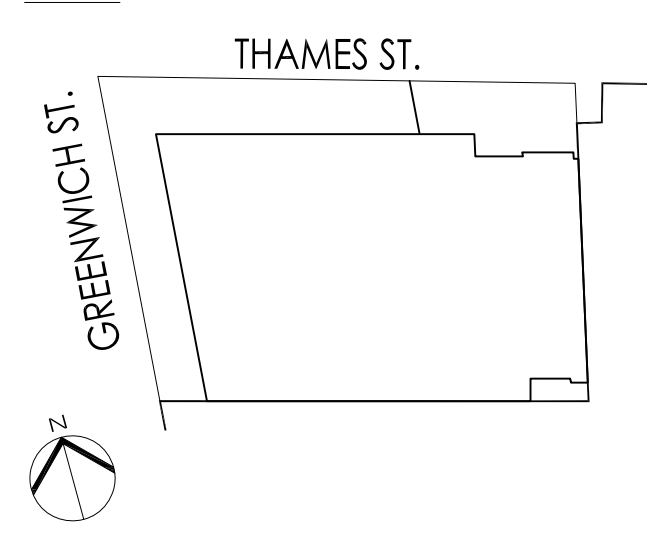
DATE	01/16/15
PROJECT NO.	15-01
DRAWING BY:	T.S.
CHECKED BY:	M.F.
DWG NO.	SOE-001.00
1 OF 7	



BLOCK 51
LOT 13
78-86 TRINITY PLACE
NO BASEMENT

BLOCK 51
LOT 15
88 TRINITY
PLACE
W/BASEMENT
SUPPORTED ON H-PILES

BRACING PLAN AT ELEVATION -11'-0"
SCALE 3/16"=1'-0"



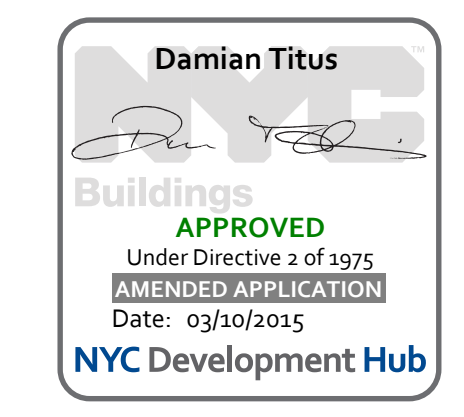
- VS 125 LL
c/o BIZZI & PARTNERS DEVELOPMENT LLC
55 East 59th Street
New York, NY 10022
- EXECUTIVE ARCHITECT
SLCE ARCHITECTS, LLP
1359 Broadway
New York, NY 10018
Tel: (212) 979-8400 Fax: (212) 979-8387
- DESIGN ARCHITECT
RAFAEL VINOLY ARCHITECTS PC
50 Vandam Street
New York, NY 10013
Tel: 212 924 5060 Fax: 212 924 9858
- STRUCTURAL ENGINEER
DESMONE CONSULTING ENGINEERS
18 West 18th Street
New York, NY 10011
Tel: 212 532 2211 Fax: 212 481 6108
- MEP/FP ENGINEER
COSENTINI ASSOCIATES
619 River Drive Center 1
New York, NY 10121
Tel: 212 615 3606 Fax: 212 615 3700
- GEOTECH + CIVIL CONSULTANT
LANGAN ENGINEERING
619 River Drive Center 1
Elmwood Park, NJ 07407
Tel: 201 794 6900 Fax: 201 794 0366
- VERTICAL TRANSPORTATION CONSULTANT
VAN DUSEN & ASSOCIATES
5 Rogeness Street, Suite 524
Livingston, NJ 07039
Tel: 973 994 9220 Fax: 619 474 6757

CONTRACTOR:
URBAN
FOUNDATION/
ENGINEERING, LLC.
38-33 11th Street, P.O. Box 680158
East Elmhurst, New York 11369
Phone: 718-478-3021 Fax: 718-397-1917

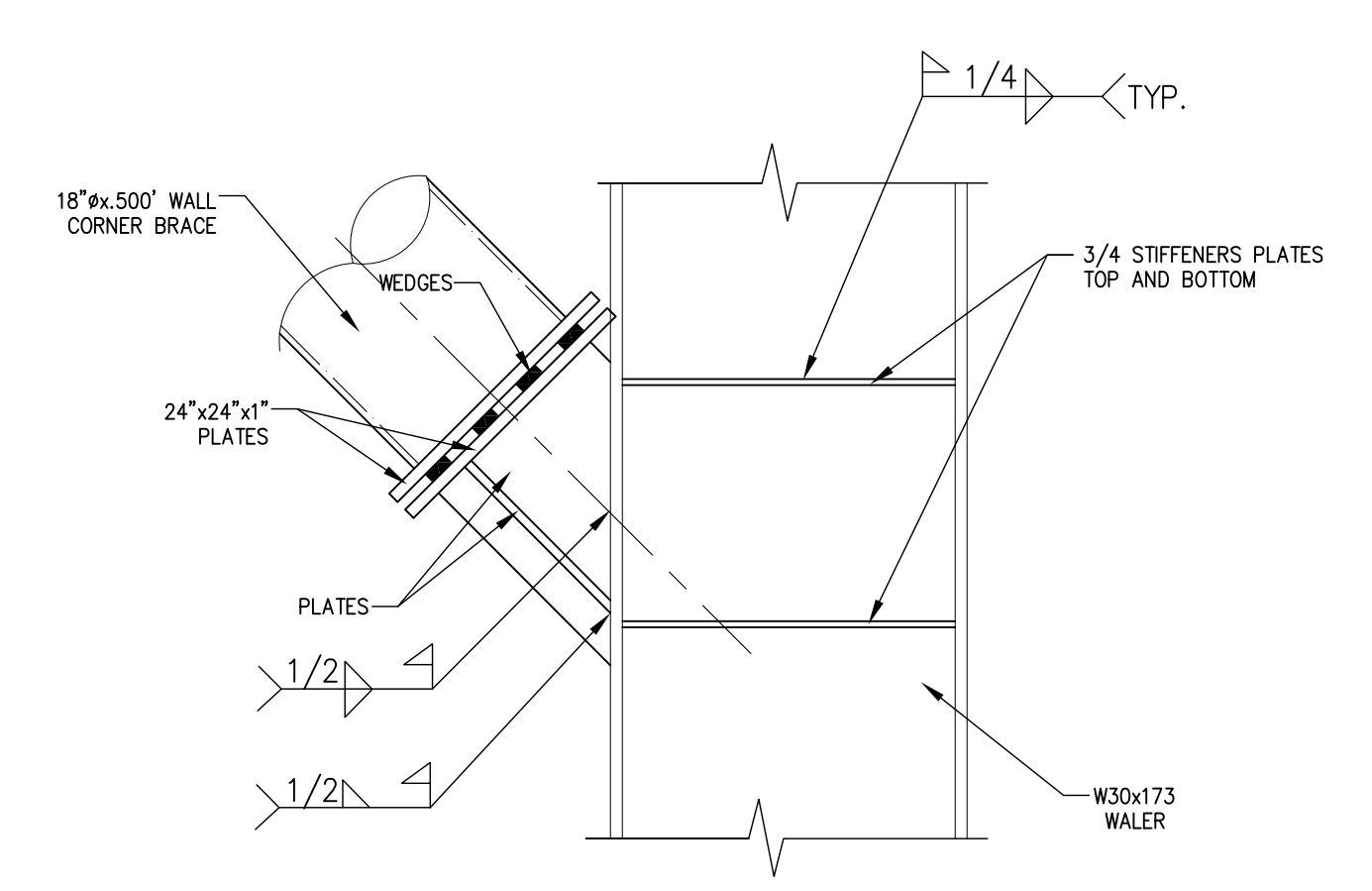
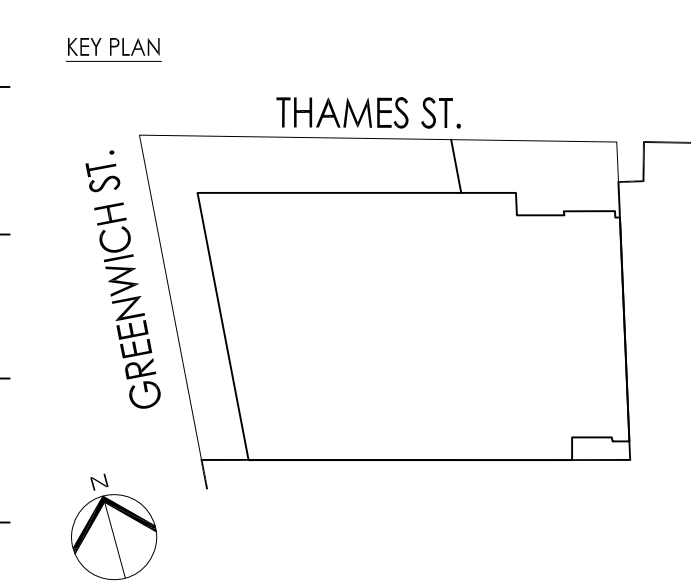
REV. NO.	DATE	DESCRIPTION

PROJECT:
**22 THAMES
NEW YORK, NY**

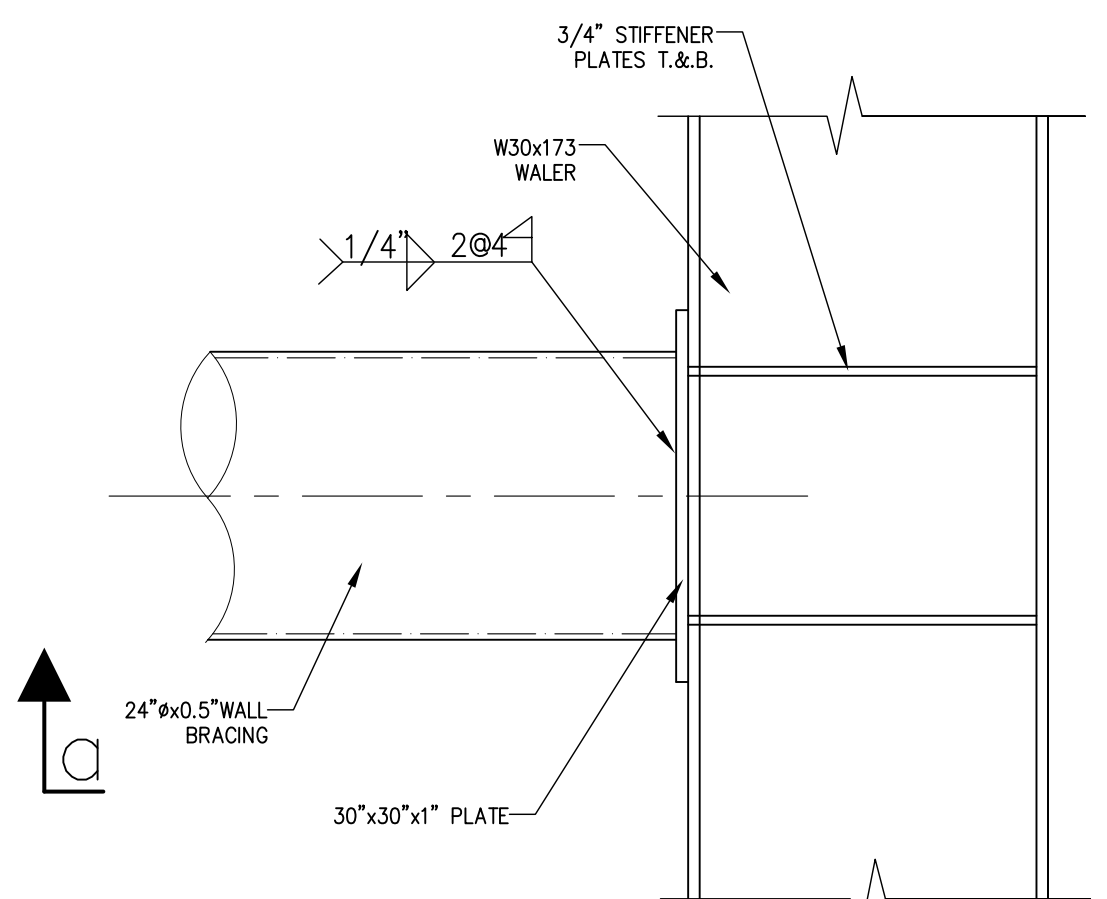
DRAWING TITLE:
**SUPPORT OF EXCAVATION PLAN
BRACING AT ELEVATION -11'-0"**



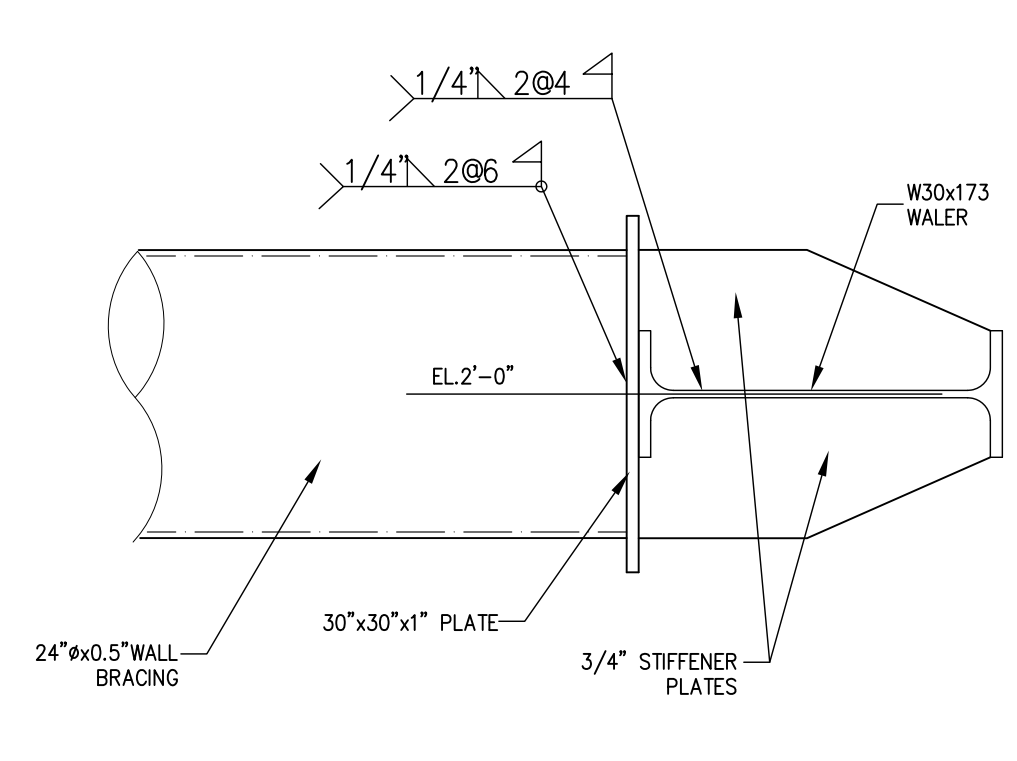
DATE	01/16/15
PROJECT NO.	15-01
DRAWING BY:	T.S.
CHECKED BY:	M.F.
DWG NO.	SOE-002.00



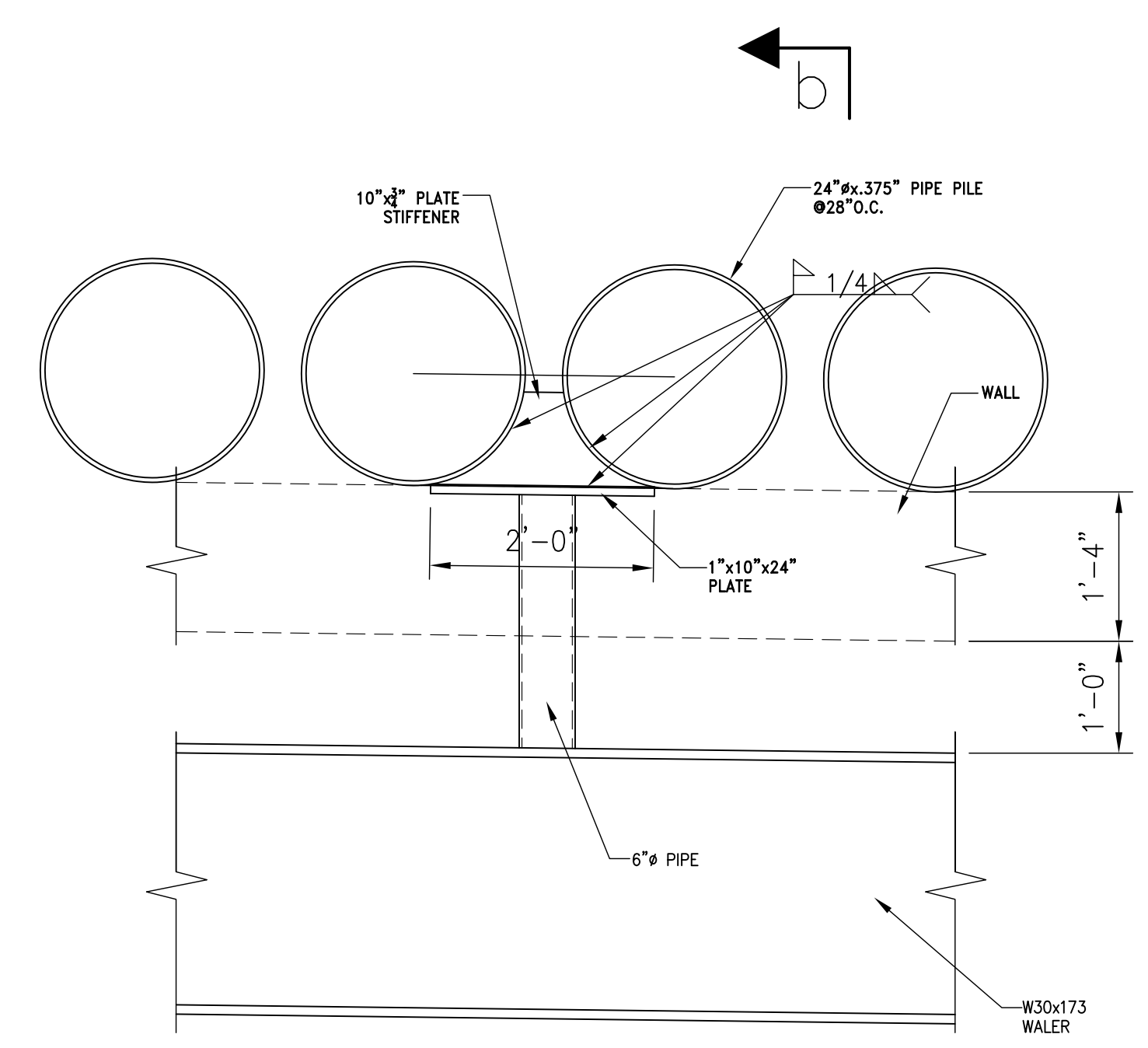
DETAIL "A"
SCALE 3/4"=1'-0"



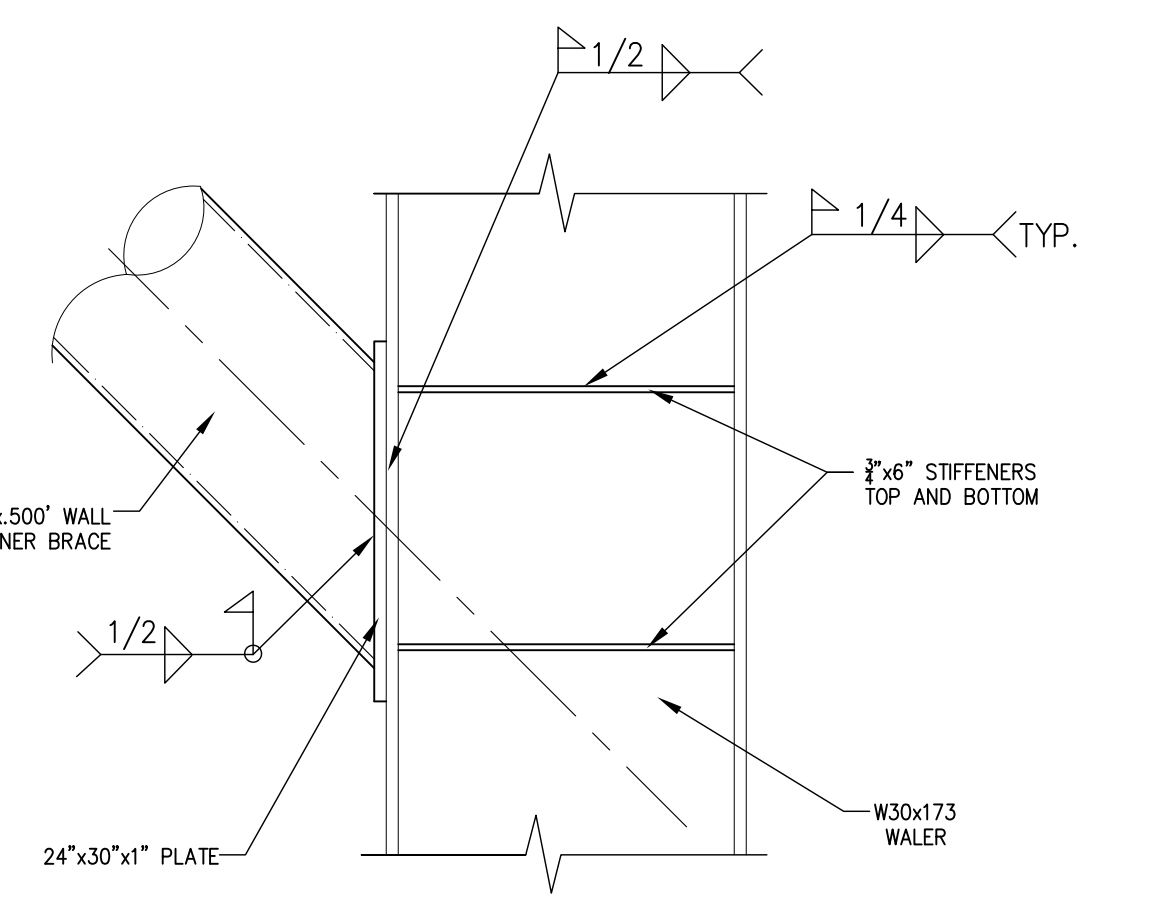
DETAIL "B"
SCALE 3/4"=1'-0"



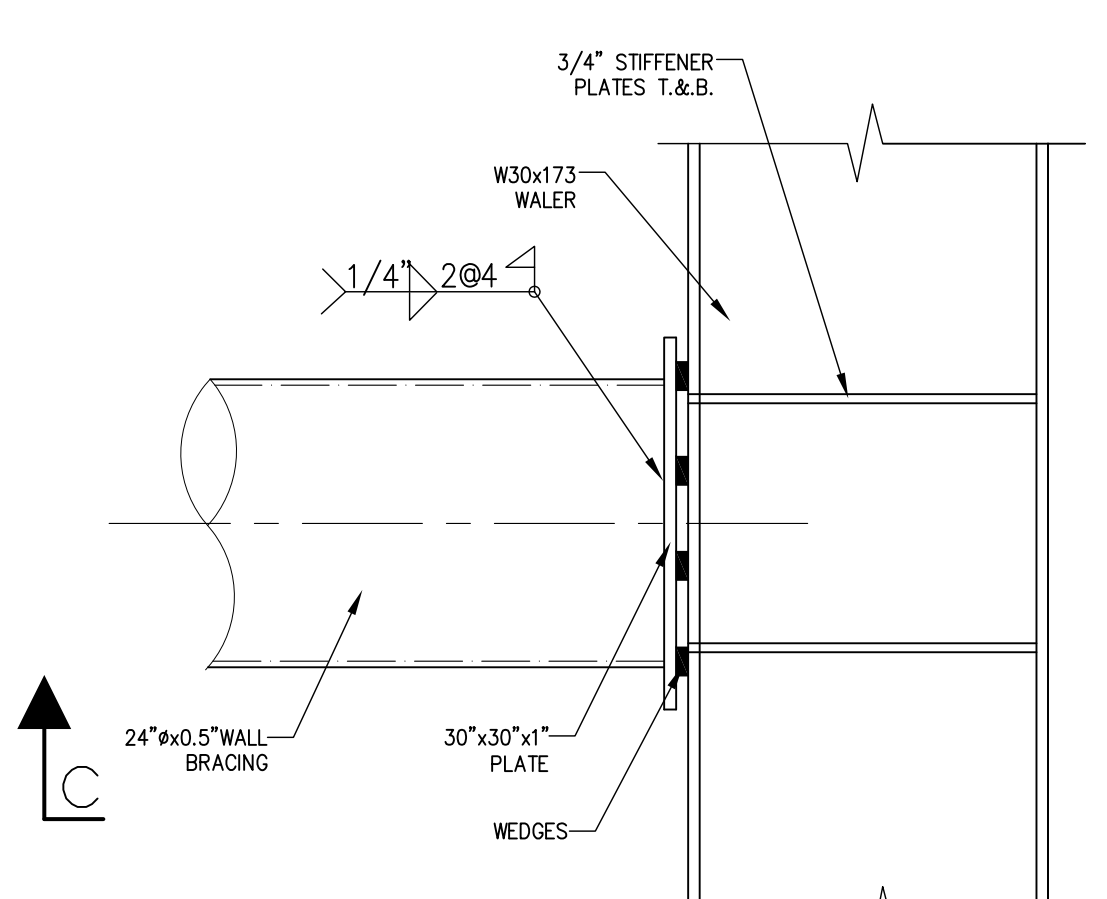
SECTION a-a
SCALE 3/4"=1'-0"



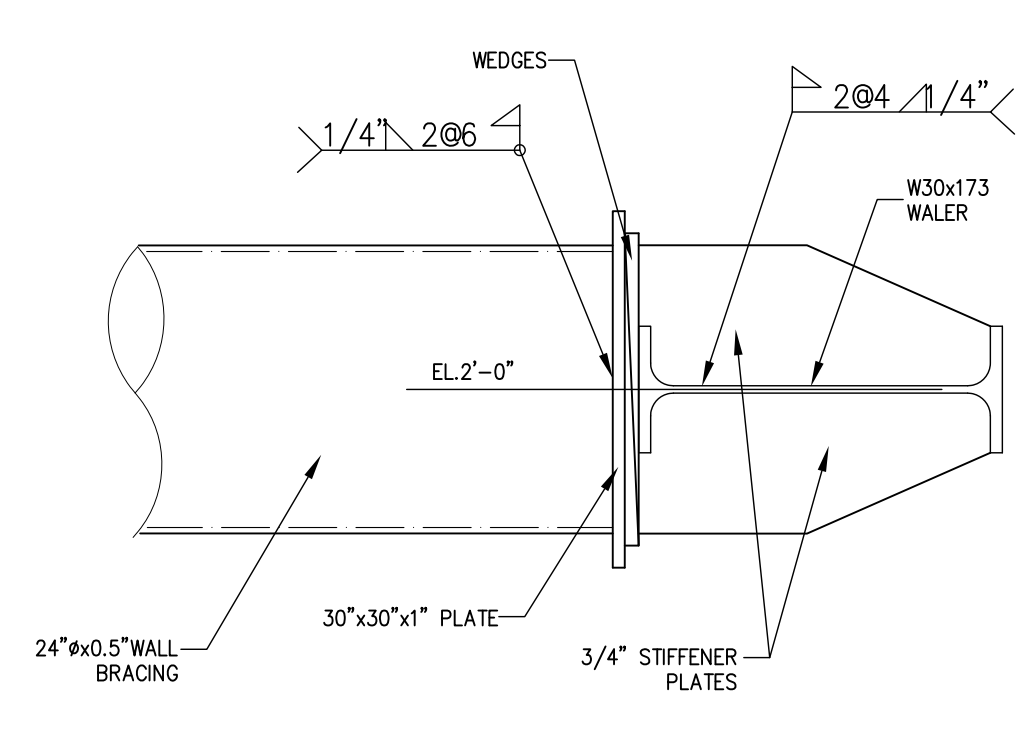
SECTION b-b
SCALE 3/4"=1'-0"



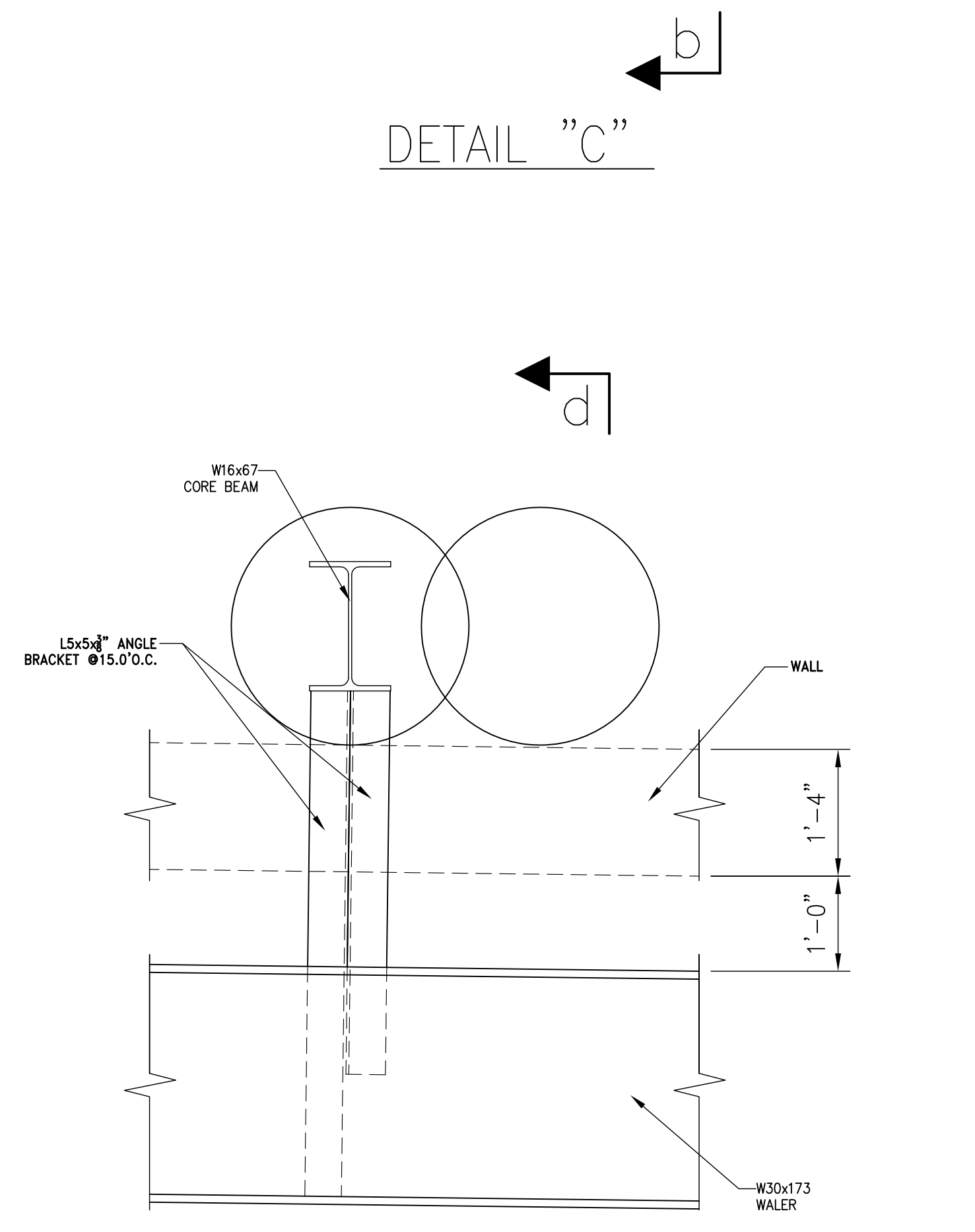
DETAIL "A1"
SCALE 3/4"=1'-0"



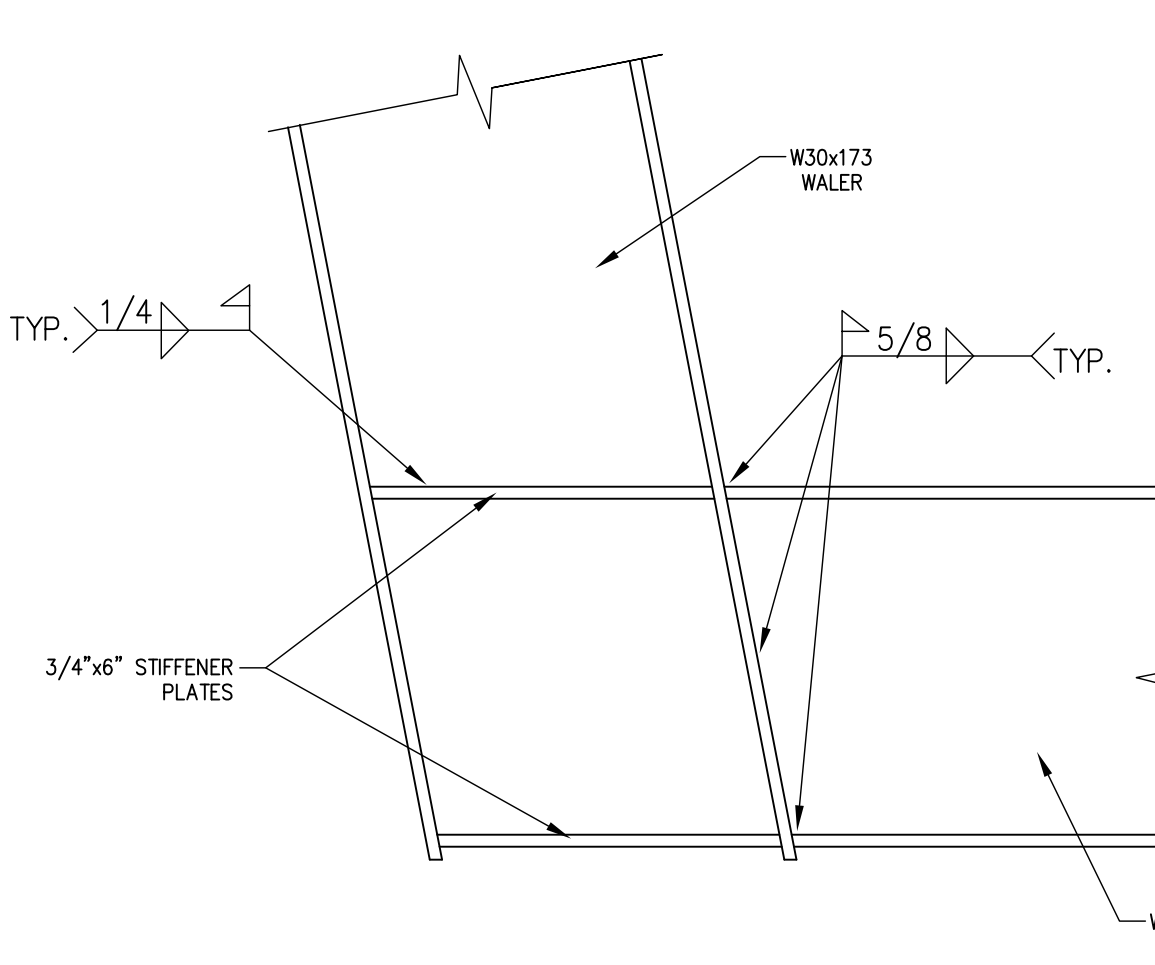
DETAIL "B1"
SCALE 3/4"=1'-0"



SECTION c-c
SCALE 3/4"=1'-0"



SECTION d-d
SCALE 3/4"=1'-0"



DETAIL "E"
SCALE 3/4"=1'-0"

- VS 125 LL
c/o BIZZI & PARTNERS DEVELOPMENT LLC
55 East 59th Street
New York, NY 10022
- EXECUTIVE ARCHITECT
SLCE ARCHITECTS, LLP
1359 Broadway
New York, NY 10018
Tel: (212) 979-8400 Fax: (212) 979-8387
- DESIGN ARCHITECT
RAFAEL VINOLY ARCHITECTS PC
50 Vandam Street
New York, NY 10013
Tel: 212 924 5000 Fax: 212 924 5558
- STRUCTURAL ENGINEER
DESIMONE CONSULTING ENGINEERS
18 West 18th Street
New York, NY 10011
Tel: 212 532 2211 Fax: 212 481 6108
- MEP/FP ENGINEER
COSENTINI ASSOCIATES
Two Pennsylvania Plaza
New York, NY 10121
Tel: 212 615 3606 Fax: 212 615 3700
- GEOTECH + CIVIL CONSULTANT
LANGAN ENGINEERING
619 River Drive Center 1
Elmwood Park, NJ 07407
Tel: 201 794 6900 Fax: 201 794 0366
- VERTICAL TRANSPORTATION CONSULTANT
VAN DUSEN & ASSOCIATES
5 Peggotts Street, Suite 524
Livingston, NJ 07039
Tel: 973 994 9220 Fax: 619 474 6757
- DOB BC&N:

CONTRACTOR:

URBAN FOUNDATION/ ENGINEERING, LLC.
32-33 111th Street, P.O. Box 690158
East Elmhurst, New York 11369
Phone: 718-478-3521 Fax: 718-387-1917

REV. NO.	DATE	DESCRIPTION

PROJECT:

**22 THAMES
NEW YORK, NY**

DRAWING TITLE:
**SUPPORT OF EXCAVATION
DETAILS**

DATE	01/16/15
PROJECT NO:	15-01
DRAWING BY:	T.S.
CHECKED BY:	M.F.
DWG. NO.:	SOE-006.00

8 OF 7

