

THE HYDRO
MECHANICAL
HOROLOGISTS

HIYT

INSTRUCTION MANUAL AND GUARANTEE
H1

Thank you and congratulations!

With this HYT watch, you have joined the age of Hydro-Mechanical Horology.

HYT represents the link between traditional watchmaking and fluid mechanics.

Whichever model you have chosen, it will be part of the same uncompromising HYT philosophy, which is to offer the best in traditional watchmaking combined with unlimited hydro-mechanical creativity.

Grégory Dourde
CEO



GUARANTEE

In this manual, you can find the basic instructions for using and maintaining your watch.

Each HYT watch bears an individual identification number, which guarantees both its authenticity, and that all the work involved in its creation has been supervised by a master watchmaker.

Each HYT watch is equipped with a fluidic module⁰. The fluidic module is the device which enables the time to be displayed via the meniscus¹. The meniscus marks the boundary between the two immiscible fluids in the capillary³. The watch movement drives the module via the bellows² fixed on the main plate. Only a professional watchmaker approved by HYT can replace this fluidic system. It bears a unique serial number.

The card you received when you purchased your watch is the electronic guarantee certificate for your HYT watch.

The QR Code on the front of your card gives you access to unique and interactive content, once you have downloaded the app. This content explains the correct way to use your watch, with specific videos and texts.

The guarantee is activated upon purchase in our network of approved HYT retailers. You must present your activated guarantee card to be entitled to the guarantee.

If following your purchase you have not received a confirmation e-mail, please go to **www.hytwatches.com/lounge**. Then select the market place corresponding to your mobile. The app will ask you to scan the QR Code and enter your e-mail, in order to send you a password.

By downloading this app, you will be able to contact our customer services in a single click in case of an incident or if you have any questions.

Your HYT watch is guaranteed against all manufacturing defects for five years from the date it was purchased, if the watch was purchased from an approved HYT retailer. This guarantee does not however cover damage caused by incorrect handling or improper use of the watch.

For any service, repair or maintenance procedure, please ensure you only use retailers approved by HYT or our customer services.

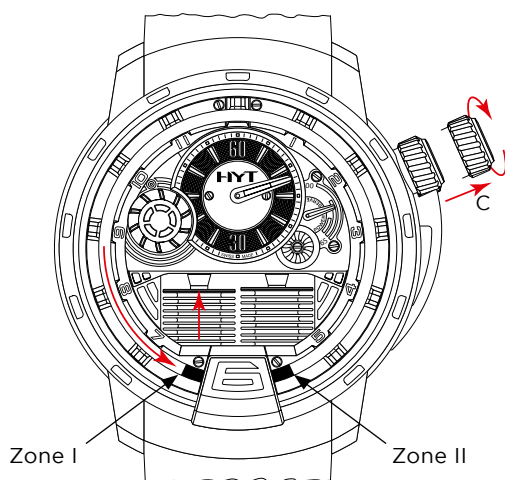
You can find the list of our network of approved retailers and our customer services on our website **www.hytwatches.com**.

Any repair or maintenance work carried out by third parties who have not been approved by HYT will automatically void the guarantee. Any damage caused will then have to be repaired at your expense.

PRECAUTIONS FOR USE

Your HYT watch is set and ready to be worn.

The meniscus¹ in the capillary³ displays the time continuously while the watch is on your wrist, even if you wear it in extreme temperatures (0°C to +50°C).



Important: If you plan to not wear the watch for a while, the coloured liquid has to be stored in its own reservoir (on the left bellows²).

To do this, unscrew the crown and pull it out to position C (time setting). Allow the coloured liquid to move into “Zone II” until it starts its retrograde (ensure the time needed for this movement is respected). Once the retrograde phase is complete (coloured liquid in “Zone I”), ensure that the crown remains in the time setting position C. Your watch is now ready to be stopped for an extended period.

The capillary³ is then filled with transparent liquid (it is possible to still see some coloured liquid in “Zone I”).

Produced and tested to very stringent criteria, the constituent components of your HYT watch together form an exceptionally water resistant unit. To ensure these qualities are preserved, we recommend that you replace the gaskets every 3 years. Temperature variations, moisture, perspiration or repeated impacts may adversely affect its water resistance over the years.

With its water resistant case, your HYT watch is fully washable. It should be cleaned regularly in lukewarm, soapy water, rinsed and then carefully dried with a soft cloth. After exposure to sea water, rinse your HYT watch in fresh water.



GLOSSARY

p.6



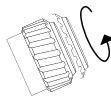
QUICK GUIDE

p.7



SCREW-DOWN CROWN

p.8



WINDING

p.9



SETTING THE TIME

p.10



SETTING THE TIME COUNTER CLOCKWISE

p.11



DISPLAY EXAMPLES

p.11



POWER RESERVE INDICATOR

p.12

GLOSSARY

0. Fluidic module:

To create a liquid time indicator that is compact, wearable and multi-purpose, HYT has developed a completely new high-tech concept, using two flexible bellows at each end of a capillary tube. The system is sealed in accordance with the most stringent standards used in the aerospace industry, with each bellow containing immiscible liquids. The fluidic module represents this complete system.

1. Meniscus:

The two liquids are separated by the positive and negative polarities of their respective molecules that keep them apart like magnetic repulsion. The meniscus marks the surface separating the liquids in the tube, indicating the time.

2. Bellows:

The bellows are the two reservoirs located at 6 o'clock. They are made of a highly resistant, flexible electro-deposited alloy four times finer than a human hair. The movement compresses the left-hand bellows which is emptied of its coloured liquid. The other bellows then fills, and vice versa, moving the liquid within the capillary, and with it the meniscus which indicates the time.

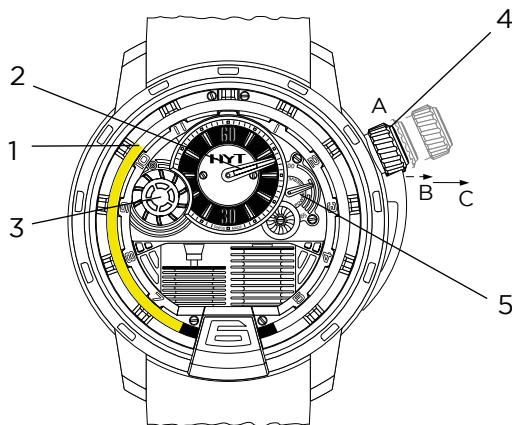
3. Capillary:

This tube, made from the best quality glass as used in the medical industry, is circular in shape and contains two immiscible liquids. A nanometric surface treatment is applied to this inside of the capillary, which enables the two liquids to move smoothly without adhering to the glass.

4. Retrograde:

When the coloured liquid gets to 6 o'clock (Zone II), it switches to retrograde mode, flowing back to its original position (Zone I).

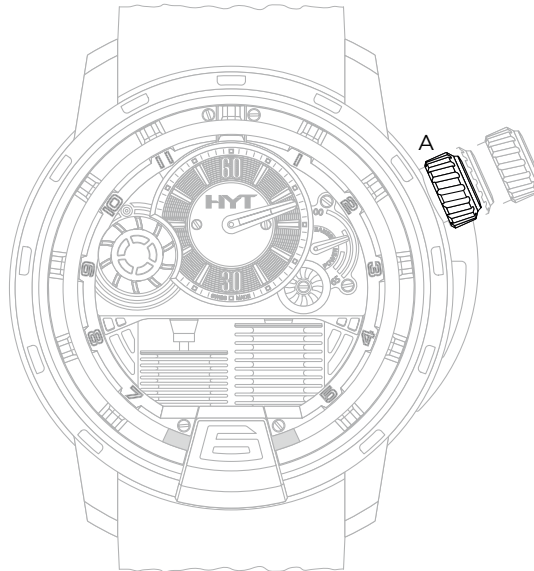
QUICK GUIDE



1. Time display
2. Minute hand
3. Seconds display
4. Crown settings
Pos A.: crown screwed down
Pos B.: winding (unscrewed)
Pos C.: time setting
(pulled out)
5. Power reserve indicator
(65 hours)

SCREW-DOWN CROWN

Pos A.



INTRODUCTION

This type of crown provides excellent protection to ensure the case is water resistant.

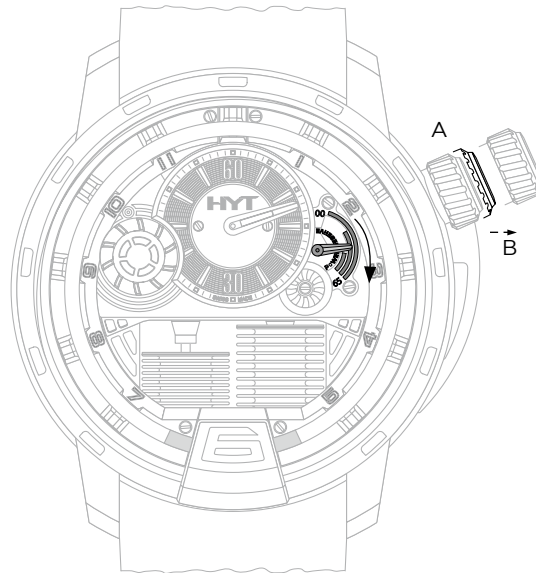
The crown must be unscrewed before changing the watch settings and screwed back down afterwards.

HOW TO USE

- Unscrew the crown before changing the watch settings.
- Afterwards, push the crown back in against the case and screw it back down.
- Check from time to time that the crown is fully screwed down.

WINDING

Pos B.



INTRODUCTION

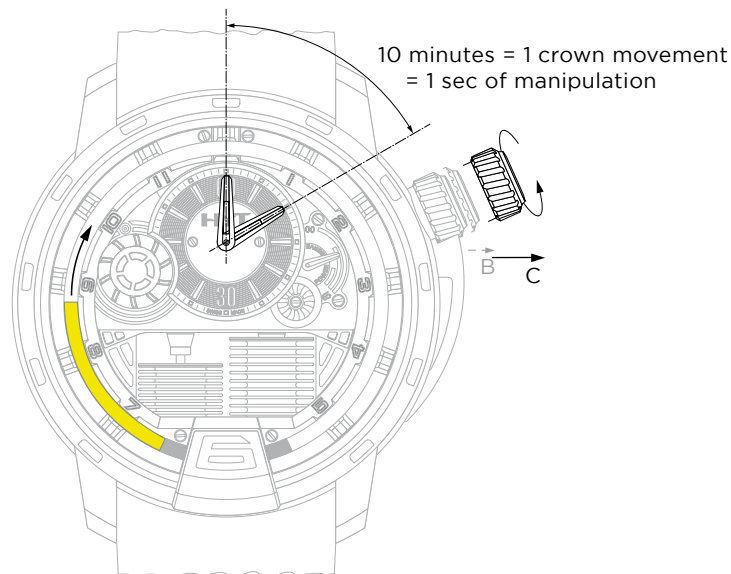
This function ensures that the power required to drive your watch is stored by the movement.

HOW TO USE

- Unscrew the crown before changing the watch settings “A”
- Wind the watch by turning the crown clockwise “B”
- Afterwards, push the crown back in against the case and screw it back down “A”.

SETTING THE TIME

Pos C.



INTRODUCTION

This function allows the time shown on your watch to be set using the crown.

IMPORTANT

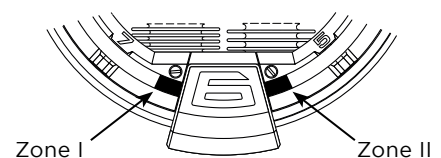
- Moving the microfluids within the capillary³ should be approached with as much caution as setting a perpetual calendar or a minute repeater
- We highly recommend that the fluid is only moved 10 minutes with each movement of the crown
- This should mean that moving the fluid a full hour takes no more than 12 seconds.

HOW TO USE

- Unscrew the crown and pull it out to position “C”
- Then turn the crown in either direction until the coloured liquid (hour display) and the minute hand is at the time required
- Push the crown in completely against the case
- Do not forget to screw in the crown completely to ensure its water resistance.

RETROGRADE

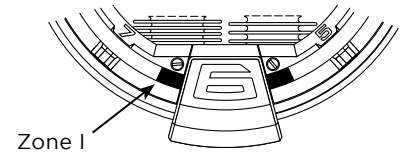
- The automatic return of the coloured liquid (retrograde)⁴ is allowed by the pressure of the two bellows². The speed is higher when the retrograde⁴ starts in “Zone II” and is minimal when the liquid approaches its starting point in “Zone I”.



SETTING THE TIME COUNTER CLOCKWISE

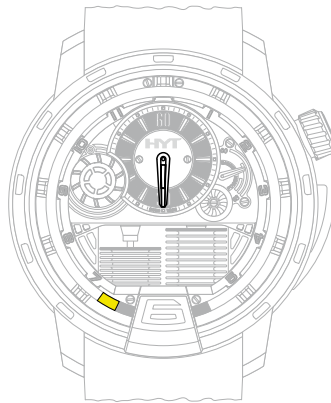
It is completely possible to set your watch counter clockwise.

Warning: counter clockwise movement of the crown must be stopped immediately if the coloured liquid is no longer visible or if it is stored in “Zone I”.



DISPLAY TIME EXAMPLES

1) 6:30 am



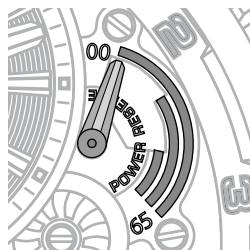
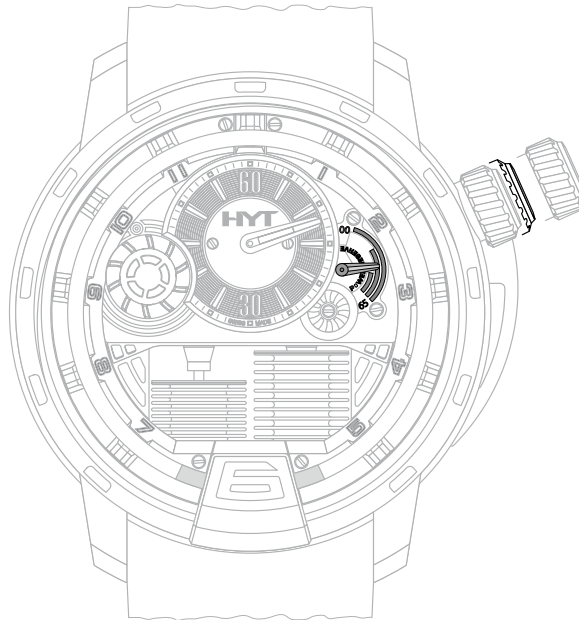
2) 10:35 am



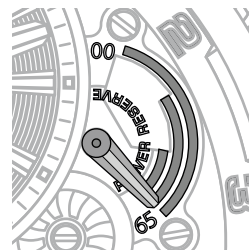
3) 5:50 pm



POWER RESERVE INDICATOR



Empty



Full

(65 hours of
power reserve)

INTRODUCTION

This power reserve indicator function provides a real-time display of your watch's power, thereby indicating how long it will continue to run without the spring being rewound.

HOW TO USE

- The display uses a small hand on the dial which travels in an arc from the "full" indicator (65) to the "empty" indicator (00)
- To ensure optimal operation of the watch, we recommend that you check it is fully wound (see WINDING).