



# Standards & Tolerances Guide



# **Foreword**

*This Guide has been compiled in response to community and industry concerns that identified a need to collate general building standards and tolerances into one, easy to read document.*

*The tolerances and standards identified in this publication have not been created by the authors but have been sourced and collated from existing legislative provisions, the National Construction Code, Australian Standards, manufacturers installation requirements and other recognised industry standards in Queensland (e.g. Timber Queensland Technical Data Sheets).*

*It is hoped that the publication will provide an impartial, quick and easy first reference for clients and contractors in relation to applicable standards and tolerances in Queensland thereby, reducing the likelihood of disputation in relation to such standards and tolerances.*

# Acknowledgements

The contributions and assistance provided by the following agencies, organisations and individuals, in the preparation of this document, is gratefully acknowledged:

The Victorian Building Authority for their permission to use the Victorian, NSW and Tasmanian 2007 Guide to Standards and Tolerances as a template for drafting this Queensland edition of a similar document.

SAI Global Ltd for their permission to print certain tables and information from relevant Australian Standards. These Australian Standards can be purchased online at [www.saiglobal.com](http://www.saiglobal.com)

The Australian Building Codes Board (ABCB) give their permission to reference the National Construction Code (NCC) Series, which includes the Building Code of Australia (Volumes 1 and 2) and the Plumbing Code of Australia (Volume 3). The NCC and individual Volumes can be purchased from the ABCB at [www.abcb.gov.au](http://www.abcb.gov.au).

The ABCB provides permission for the NCC to be referenced however does not endorse the Queensland Building and Construction Commission's, Queensland Standards and Tolerances Guide 2014 or provide a warranty or guarantee that the references within this publication are correct or complete.

The numerous individuals and organisations who have contributed their time and expertise to develop and review this Guide.

# Contents

0.00	Introduction	7
1.00	Siteworks	19
2.00	Footings, Slabs And Set-Out	20
3.00	Masonry	24
4.00	Framing	32
5.00	Wall Cladding	37
6.00	Roofing	40
7.00	Plumbing	47
8.00	Windows And Doors	49
9.00	Plastering, Rendering And Plasterboard	52
10.00	Internal Fixing	58
11.00	Floor And Wall Tiling	60
12.00	Painting	62
13.00	Wet Areas, Decks And Balconies	63
14.00	Floors	65
15.00	Pools And Spas	67
16.00	Termite Management Systems	68
17.00	General	71



# 0.00 INTRODUCTION

## 0.01 Authority of the Guide

The standards and tolerances identified in the Guide are only applicable to “building work” as defined in the Queensland Building and Construction Commission Act 1991 and Queensland Building and Construction Commission Regulation 2003. Accordingly, tolerances and standards have not been included for constructions such as earthworks, electrical work, carpet, vinyl or floating floors that are excluded from the definition of “building work” provided in the abovementioned legislation.

Building standards are in the main described in the National Construction Code Series which includes the Building Code of Australia (Volumes 1 and 2) and the Plumbing Code of Australia (Volume 3), which is adopted into law by regulation.

The standards and tolerances documented in this Guide are intended to be consistent with and complement other relevant Acts, Regulations, Building Code of Australia requirements, Australian Standards, manufacturer’s installation requirements and provisions of the contract. Where there is any difference or contradiction between the Guide and an Act, Regulation, the Building Code of Australia, Australian Standards, manufacturer’s installation requirements; all of these take precedence over the Guide. Where the contract may be inconsistent with the requirements of this Guide the contract takes precedence only to the extent that it is requiring a higher standard than that prescribed in the Guide.

The Guide has predominately been prepared to identify general standards and tolerances applicable to domestic building work, however where relevant, can similarly be applied to non-domestic constructions. Accordingly, unless noted otherwise, references in the Guide to the Building Code of Australia refer to Volume 2 of the Building Code of Australia which is applicable to Class 1 and 10 buildings.

The tolerances and standards identified in the Guide are applicable to new work and new materials and are only relevant and applicable within the time periods specified in Section 0.02 of the Guide. Accordingly, unless noted otherwise, they are not applicable to second-hand or recycled materials or products.

## 0.02 Time provisions and limitations

This edition of the Guide is valid from 1 May 2014 and has been compiled based upon the 2014 edition of the Building Code of Australia and its referenced standards and other non-referenced Australian Standards and documents in force as at 1 May 2014.

Two time periods are relevant when identifying applicable standards and tolerances to identify defective work:

- 12 months from date of completion of the works
- 6 years and 3 months from date of completion of the works.

Generally the 12 month time frame applies to non-structural building work and the 6 years and 3 month time frame to structural building work.

Generally, the date of completion is the day when the work carried out under the contract, is completed in accordance with the terms of that contract, or the day the building owner is given the statutory permit or certificate that authorises the occupation of the building. Alternatively, a definition may be given in the contract associated with the building work.

Unless noted otherwise all standards and tolerances provided in the Guide are applicable for 6 years and 3 months from the date of completion of the work

## 0.03 Measurement of tolerances

The tolerances in this Guide apply up to and including the length over which each tolerance is stated to apply. It

is not intended that tolerances will be interpolated or proportioned to the actual length of building element measured. For example, where the Guide specifies a 4 mm maximum deviation measured over a 2 m length of wall surface, the Guide means that the same 4 mm deviation is to be applied over a 1 m wall surface or a 500 mm wall surface. The tolerance cannot be interpolated to mean a 2 mm deviation over a 1 m wall surface or 1 mm deviation over a 500 mm wall surface. Similarly, deviations over longer wall surfaces would be defects if the deviation exceeded 4 mm within any 2 m length of that surface.

Horizontal, vertical and diagonal surface tolerances are to be interpreted in the same way.

### **Horizontal surfaces**

Deviations from a horizontal surface are to be measured from a datum nominated in the contract documents or inferred, if none is nominated. Where there is a nominated or inferred datum, the maximum deviation from that datum will not exceed the deviation stated in the Guide. Where no datum is nominated and a datum cannot be inferred, a datum level will be taken to be at the highest or lowest points in the building element, room or area being measured. Refer to Figure 0.03 (i), (ii) and (iii) for method of measurement.

### **Vertical surfaces**

Deviations of a vertical surface from a true vertical plane are to be measured from a plumb line through a plan position or reference point nominated in the contract documents or inferred, if none is nominated. The maximum deviation of a

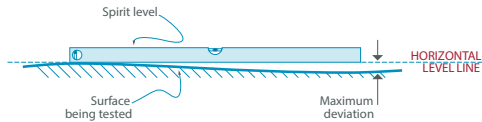


vertical surface from that plumb line will not exceed the deviation stated in the Guide. Refer to Figure 0.03 (iv), (v) and (vi) for method of measurement.

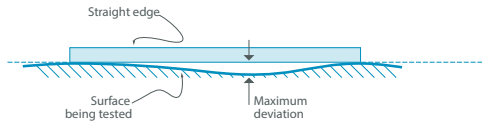
**FIGURE 0.03**

MEASUREMENT OF HORIZONTAL AND VERTICAL TOLERANCES

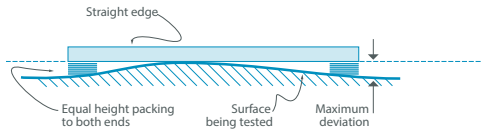
**Horizontal surfaces**



i) Measurement of deviation from horizontal / level

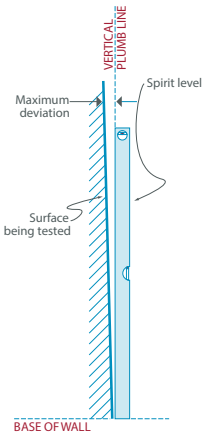


ii) Measurement of bow

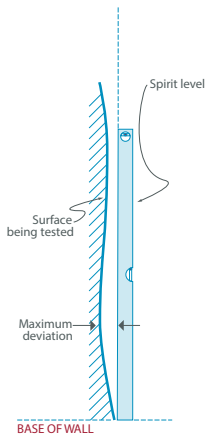


iii) Measurement of bow

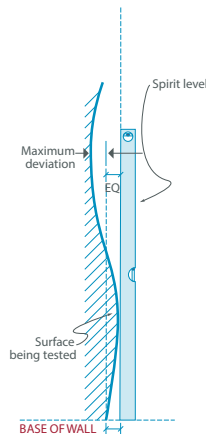
**Vertical surfaces**



iv) Measurement of deviation from vertical / plumb



v) Measurement of bow to be carried out as per diagram (ii)+(iii)



vi) Measurement of bow to be carried out as per diagram (ii)+(iii)

## 0.04 Viewing and inspecting distances

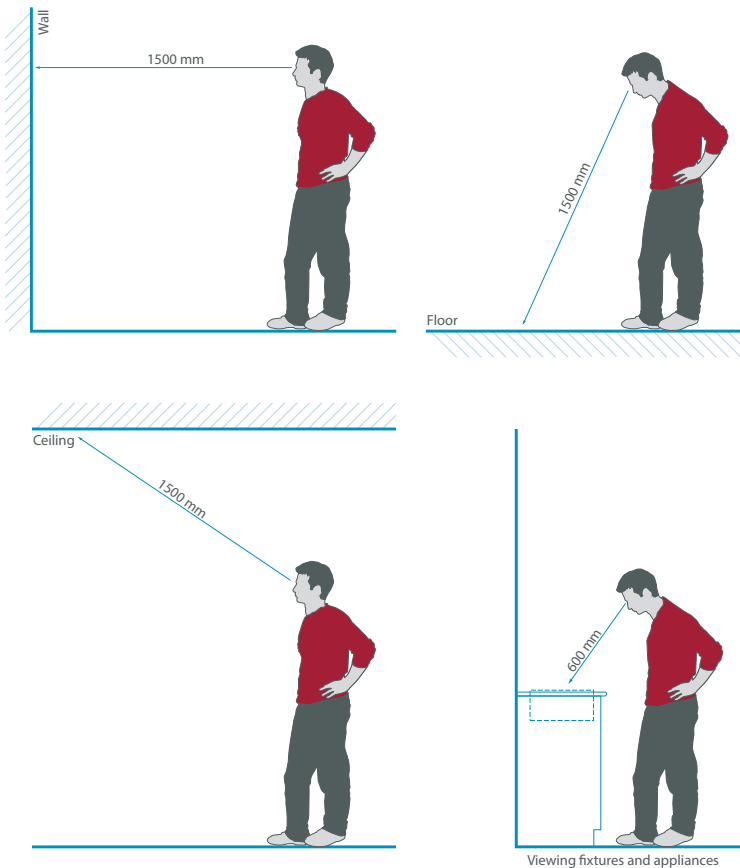
Generally, variations in the surface colour, texture and finish of walls, ceilings, floors and roofs, and variations in glass and similar transparent materials are to be viewed where possible from a normal viewing position. A normal viewing

position is looking from a distance of 1.5 m or greater (600 mm for appliances and fixtures) with the surface or material being illuminated by “non-critical light”. “Non-critical light” means the light that strikes the surface is diffused and is not glancing or parallel to that surface.

Slight variations in the colour and finish of materials do not constitute a defect.

**Figure 0.04**

DIAGRAM F  
NORMAL VIEWING POSITIONS



## 0.05 Responsibility to rectify

Builders do not have to rectify damage caused by the owner's actions or those of other people engaged by the owner. Builders will be liable to repair damage caused to property in the course of completing their building work.

For example:

A builder **will not** have to repaint a poorly painted wall that was painted by the building owner.

A builder **will not** have to repair a distorted gutter when the damage was caused by an owner placing a ladder against the gutter.

A builder **will not** have to repair a storm water drain that was properly constructed and later blocked by tree roots.

A builder **will** have to replace untreated pine in an external deck that was installed by the builder instead of the durable timber required for this structure.

A builder **will** have to repair an existing window in a house that the builder accidentally damaged when constructing another part of the house.

## 0.06 References used in this Guide

Building Code of Australia (BCA) 2014 Edition - Volume 2

### Documents Referenced in the BCA - Volume 2

No.	Date	Title
<b>AS/NZS 1170</b>		Structural design actions
Part 0	2002	General principles
		Amdt 1
		Amdt 3
		Amdt 4
Part 1	2002	Permanent, imposed and other actions
		Amdt 1
		Amdt 2
Part 2	2011	Wind actions
		Amdt 1
		Amdt 2
		Amdt 3
Part 3	2003	Snow and ice actions
		Amdt 1
<b>AS 1170</b>		Structural design actions
Part 4	2007	Earthquake actions in Australia
<b>AS/NZS 1200</b>	2000	Pressure equipment

No.	Date	Title
<b>AS 1273</b>	1991	Unplasticized PVC (UPVC) downpipe and fittings for rainwater
<b>AS/NZS 1276</b>		Acoustics—Rating of sound installation in buildings and of building elements
Part 1	1999	Airborne sound insulation
		[Note: Test reports based on AS 1276 — 1979 and issued prior to AS/NZS 1276.1 — 1999 being referenced in the BCA, remain valid. The STC values in reports based on AS 1276 — 1979 shall be considered to be equivalent to Rw values. Test reports prepared after the BCA reference date for AS/NZS 1276.1 — 1999 must be based on that version.]
<b>AS 1288</b>	2006	Glass in buildings—Selection and Installation
		Amdt 1
		Amdt 2
<b>AS 1289</b>		Methods of testing soils for engineering purposes
Method 6.3.3	1997	Determination of the penetration resistance of a soil — Perth sand penetrometer test
		Amdt 1
<b>AS 1397</b>	2011	Continuous hot dip metallic coated sheet steel and strip - coatings of zinc and zinc alloyed with aluminium and magnesium
<b>AS 1530</b>		Methods for fire tests on building materials, components and structures
Part 1	1994	Combustibility test for materials
Part 2	1993	Test for flammability of materials
		Amdt 1
Part 4	2005	Fire-resistance test of elements of construction
		[Note: Subject to the note to AS 4072.1, reports relating to tests carried out under earlier editions of AS 1530 Parts 1 to 4 remain valid. Reports relating to tests carried out after the date of an amendment to a Standard must relate to the amended Standard]

No.	Date	Title
<b>AS/NZS 1530</b>		Methods for fire tests on building materials, components and structures
Part 3	1999	Simultaneous determination of ignitability, flame propagation, heat release and smoke release
<b>AS 1562</b>		Design and installation of sheet roof and wall cladding
Part 1	1992	Metal
		Amdt 1
		Amdt 2
		Amdt 3
<b>AS/NZS 1562</b>		Design and installation of sheet roof and wall cladding
Part 2	1999	Corrugated fibre-reinforced cement
Part 3	1996	Plastics
<b>AS 1657</b>	2013	Fixed platforms, walkways, stairways and ladders — Design, construction and installation
<b>AS/NZS 1664</b>		Aluminium structures
Part 1	1997	Limit state design
		Amdt 1
Part 2	1997	Allowable stress design
		Amdt 1
<b>AS 1668</b>		The use of ventilation and airconditioning in buildings
Part 2	2012	Mechanical ventilation in buildings
<b>AS/NZS 1680</b>		Interior lighting
Part 0	2009	Safe movement
<b>AS 1684</b>		Residential timber-framed construction
Part 2	2010	Non-cyclonic areas
		Amdt 1
Part 3	2010	Cyclonic areas
		Amdt 1
Part 4	2010	Simplified — Non-cyclonic areas
		Amdt 1

No.	Date	Title
<b>AS 1720</b>		Timber structures
Part 1	2010	Design methods
		Amdt 1
		Amdt 2
<b>AS/NZS 1859</b>		Reconstituted wood-based panels – Specifications
Part 4	2004	Wet-processed fibreboard
<b>AS 1926</b>		Swimming pool safety
Part 1	2012	Safety barriers for swimming pools
Part 2	2007	Location of safety barriers for swimming pools
		Amdt 1
		Amdt 2
Part 3	2010	Water recirculation systems
		Amdt 1
<b>AS 2047</b>	1999	Windows in buildings – Selection and installation
		Amdt 1
		Amdt 2
<b>AS 2049</b>	2002	Roof tiles
		Amdt 1
<b>AS 2050</b>	2002	Installation of roof tiles
		Amdt 1
		Amdt 2
<b>AS 2159</b>	2009	Piling – Design and installation
		Amdt 1
<b>AS/NZS 2179</b>		Specification for rainwater goods, accessories and fasteners
Part 1	1994	Metal shape or sheet rainwater goods and metal accessories and fasteners
<b>AS/NZS 2269</b>		Plywood – Structural
Part 0	2012	Specifications
<b>AS 2327</b>		Composite structures
Part 1	2003	Simply supported beams

No.	Date	Title
<b>AS 2870</b>	2011	Residential slabs and footings
<b>AS/NZS 2904</b>	1995	Damp-proof courses and flashings
		Amdt 1
		Amdt 2
<b>AS/NZS 2908</b>		Cellulose cement products
Part 2	2000	Flat sheets
<b>AS/NZS 2918</b>	2001	Domestic solid fuel burning appliances — Installation
<b>AS/NZS 3500</b>		Plumbing and drainage
Part 3	2003	Stormwater drainage
		Amdt 1
		Amdt 2
		Amdt 3
Part 5	2012	Housing installations
<b>AS 3600</b>	2009	Concrete structures
		Amdt 1
		Amdt 2
<b>AS 3660</b>		Termite management
Part 1	2000	New building work
<b>AS 3700</b>	2011	Masonry structures
<b>AS 3740</b>	2010	Waterproofing of domestic wet areas
		Amdt 1
<b>AS 3786</b>	1993	Smoke alarms
		Amdt 1
		Amdt 2
		Amdt 3
		Amdt 4
<b>AS 3959</b>	2009	Construction of buildings in bushfire-prone areas
		Amdt 1
		Amdt 2
		Amdt 3

No.	Date	Title
<b>AS 4055</b>	2012	Wind loads for housing
<b>AS 4072</b>		Components for the protection of openings in fire-resistant separating elements
Part 1	2005	Service penetrations and control joints
		Amdt 1
		[Note: Systems tested to AS 1530.4 prior to 1 January 1995 need not be retested to comply with the provisions in AS 4072.1.]
<b>AS 4100</b>	1998	Steel structures
		Amdt 1
<b>AS/NZS 4200</b>		Pliable building membranes and underlays
Part 1	1994	Materials
		Amdt 1
Part 2	1994	Installation requirements
<b>AS 4254</b>		Ductwork for air-handling systems in buildings
Part 1	2012	Flexible duct
Part 2	2012	Rigid duct
<b>AS/NZS 4256</b>		Plastic roof and wall cladding material
Part 1	1994	General requirements
Part 2	1994	Unplasticized polyvinyl chloride (UPVC) building sheets
Part 3	1994	Glass fibre reinforced polyester (GRP)
Part 5	1996	Polycarbonate
<b>AS/NZS 4505</b>	2012	Garage doors and other large access doors
<b>AS 4586</b>	2013	Slip resistance classification of new pedestrian surface materials
		[Note: Test reports based on the 2004 edition of AS/NZS 4586 and issued prior to the 2013 edition of AS 4586 being referenced in the BCA remain valid. Test reports prepared after the BCA reference date of the 2013 edition of AS 4586 must be based on that version. For the purposes of assessing compliance, the slip-resistance classifications of V, W and X in reports based on the 2004 edition of AS/NZS 4586 may be considered to be equivalent to slip-resistance classifications of P5, P4 and P3 respectively in the 2013 edition of AS 4586.]



No.	Date	Title
<b>AS/NZS 4600</b>	2005	Cold-formed steel structures
		Amdt 1
<b>AS 4654</b>		Waterproofing membranes for external above-ground use
Part 1	2012	Materials
Part 2	2012	Design and Installation
<b>AS 4773</b>		Masonry for small buildings
Part 1	2010	Design
		Amdt 1
Part 2	2010	Construction
<b>AS/NZS 4859</b>		Materials for the thermal insulation of buildings
Part 1	2002	General criteria and technical provisions
		Amdt 1
<b>ASTM D3018-90</b>	1994	Class A asphalt shingles surfaced with mineral granules
<b>ABCB</b>	2011	Protocol for Structural Software, Version 2011.1
<b>ABCB</b>	2012	Standard for Construction of Buildings in Flood Hazard Areas, Version 2012.2
<b>ISO 717</b>		Acoustics – Rating of sound insulation in buildings and of building elements
Part 1	1996	Airborne sound insulation
<b>ISO 8336</b>	1993E	Fibre cement flat sheets
<b>NASH Standard</b>		Residential and low-rise steel framing
Part 1	2005	Design criteria
		Amdt A
		Amdt B
		Amdt C
<b>TN 61</b>		Cement Concrete and Aggregates Australia – Articulated walling

No.	Date	Title
		Queensland Government, Department of Agriculture, Fisheries and Forestry - Construction timbers in Queensland, Book 1 and Book 2: Properties and specifications for satisfactory performance of construction timbers in Queensland - Class 1 and 10 buildings (Houses, carports, garages, greenhouses and sheds)
		Building Act 1975

## **Documents not Referenced in the BCA - Volume 2**

*AS/NZS 1839 - 1994 Swimming pools - Pre-moulded fibre-reinforced plastics - Installation*

*AS 1860 - 1998 Installation of particleboard flooring*

*AS/NZS 2311 - 2009 Guide to the painting of buildings*

*AS/NZS 2589 - 2007 Gypsum linings - Application and finishing*

*AS 2783 - 1992 including Amendments 1 & 2 - Use of reinforced concrete for small swimming pools*

*AS 3598.1 - 2007 Ceramic tiles - Guide to the installation of ceramic tiles*

*AS 3598.2 - 2007 Ceramic tiles - Guide to the selection of a ceramic tiling system*

*AS 3727 - 1993 Guide to residential pavements*

*AS 4459 - 1999 Methods for sampling and testing ceramic tiles*

*AS/NZS 4600 - 2005 Cold formed steel structures*

*AS ISO 13006 - 2013 Ceramic tiles - Definitions, classification, characteristics and markings*

*SAA HB39 - 1997 - Installation code for metal roofing and wall cladding*

*Queensland Building and Construction Commission publication "A Simple Guide to Preventing Structural Damage to Your Home"*

*Roofing Tile Association of Australia - Guidance note*

*Australian Window Association publication - An Industry Guide to the Correct Fixing of Windows and Doors*

*Australian Window Association publication - An Industry Guide to the Correct Installation of Windows and Doors - Installation*

# 1.00 SITEWORKS

## 1.00 Cracking in concrete paving

Cracking in concrete is common and is not always attributable to unsatisfactory workmanship. Common causes of cracking include shrinkage stress, stress due to trees, commercial or heavy vehicle traffic, soil movement due to changes in the moisture content due to garden watering or drainage problems.

Cracking not attributable to the workmanship of the builder (e.g. trees planted too close to paving, commercial or heavy duty vehicle traffic, excessive garden watering, etc.) is not a defect.

Cracking in concrete verandahs, garages, carports, paving, patios, driveways etc. where the builder did not make allowances for shrinkage or general movement of the concrete (e.g. slip joints where required around penetrations such as verandah posts, pipes etc.), shall be assessed in accordance with Table 1.01 and is defective where the limits in that table are exceeded.

## 1.02 Finish to external concrete paving

Concrete paving finish is defective if, within 12 months from date of completion of the work, it is not consistent in colour, texture and general appearance. Minor variations in finish may occur and are not considered to be defective.

**TABLE 1.01**

### **CRACKS IN CONCRETE PAVING**

Condition	Measure	Limit
Cracking	Crack width	1.5 mm
Subsidence	Heave or slump under 2 m long straight edge (See Note 2 below)	15 mm
Stepping	Relative surface level of adjacent paving elements within the expanse of the main pavement	5 mm

Based on: AS 3727 – Guide to residential pavements: Table:1 Performance criteria<sup>1</sup>

#### **Notes to table 1.01**

1. The straight edge is centred over the defect and supported at its ends by equal height spacers. The heave or slump is then measured relative to this straight edge.
2. The stepping criteria apply only to steps within the surface of the main pavement.

It shall not be applied where the main pavement abuts other structures such as edging, drainage pits, service pits, minor pavements (such as a pathway adjacent to a driveway) and pavements constructed with materials of a different type.

<sup>1</sup> Reproduced with permission from SAI Global Ltd under licence 1405 - C0128

# 2.00 FOOTINGS, SLABS AND SET OUT

## 2.01 Foundation and site drainage – maintenance after occupation

The contractor is not responsible for foundation movements caused by activities that were not evident at the time of entering into the contract or as a variation to that contract, or that are undertaken by the owner. These include paving, landscaping, planting trees and drainage works after the site is handed over to the owner.

The contractor is not responsible for foundation movements caused by the owner's failure to maintain drainage systems after the site is handed over to the owner.

Refer to the Queensland Building and Construction Commission publication *"A Simple Guide to Preventing Structural Damage to Your Home"*

## 2.02 Footings and slabs generally

Slabs and footings are defective if they fail because they are not designed and constructed in accordance with the *Building Code of Australia and/or AS 2870 – Residential slabs and footings*

Slab and footing failures are defects when they are caused by foundation movements that are the result of localised drying and wetting caused by such factors as the effects of trees, excessive wetting or lack of site drainage when these factors were present during construction.

Slab and footing failures are also defects where they are caused by foundation movement that is the result of inadequate fill, or inadequate compaction, of either fill or natural material irrespective of whether or not the fill may have been provided with a level 1 compaction certificate.

## 2.03 Setting out the building on the site

A building set out is defective where the set out has failed to comply with the requirements of the approved drawings, the allotment Certificate of Title, planning or development approval, relevant planning overlays and schemes and building regulations.

Provided the building set out has complied with these regulated provisions, the set out for a building is defective if the building is more than 50 mm from its correct position.

## 2.04 External building dimensions

Departures from documented external dimensions of buildings are defects if they exceed  $L/200$  where L is the documented overall length of wall, or 5 mm, whichever is the greater.

## 2.05 Measuring internal building dimensions

Unless shown otherwise, dimensions shown on drawings for internal walls always refer to the structure's dimensions. Structure means masonry and timber framing and does not include finishes such as plasterboard, render and skirtings. The internal room sizes will be different when thicknesses of internal finish materials are taken into account.

Unless shown otherwise, clear room height dimensions shall be provided in accordance with the requirements of the *Building Code of Australia*.

## 2.06 Building dimensions

Departures from the documented set out for service rooms such as bathrooms, toilets, laundries, kitchens etc. are defects if they exceed  $L/200$  or 5 mm, whichever is the greater, where L is the documented dimension.

Departures from the documented set out for habitable rooms and areas, such as bedrooms, dining rooms, lounge and living rooms, family rooms, studies, halls, entries and stairways, are defects if they exceed  $L/100$  or 5 mm, whichever is the greater, where L is the documented dimension.

Departures from documented set out for external elements such as garages, car ports, verandahs, decks, patios etc. are defects if they exceed  $L/100$  or 5 mm, whichever is the greater, where L

is the documented dimension. Masonry is defective if it does not comply with Table 3.04.

The set out is defective where a specific fixture or feature is required to be accommodated, and such documented dimensions to accommodate that fixture or feature are not provided.

## 2.07 Finished floor levels

Finished Floor Levels (FFL) or Reduced Levels (RL) are defective where:

- they do not comply with planning and building requirements, for example minimum levels in flood prone areas; or they depart from the documented RL or FFL by more than 40 mm; or
- floors that are documented to be on the same plane but are constructed on different planes; or
- the building work is an extension or addition and new floor levels do not match the existing building floor levels.

## 2.08 Levelness of timber and concrete floors

Except where documented otherwise, new floors are defective if within 12 months from completion of the works they differ in level by more than 10 mm in any room or area, or more than 4 mm in any 2 m length. The overall deviation of floor level to entire building footprint shall not exceed 20 mm within 12 months from date of completion of the work.

## 2.09 Dimensions of building elements

Deviations from the documented height or cross-sectional dimension of building elements such as beams and posts are defective if they exceed  $L/200$  where  $L$  is the documented dimension or 5 mm, whichever is the greater.

Notwithstanding the above, timber members are not defective if the

dimensional difference is due to timber shrinkage provided that shrinkage does not exceed 3% for seasoned timber and 10% for unseasoned timber or is the result of subsequent dressing to nominated nominal timber dimensions.

## 2.10 Cracks in concrete slabs

Refer to Table 2.10 for descriptions of categories of cracks. Category 3 and 4 cracks to slabs are defects. Category 1 and 2 cracks to slabs are not defects.

**TABLE 2.10**

### **CLASSIFICATION OF DAMAGE TO CONCRETE FLOORS**

Description of typical damage	Approx. crack width limit in floor	Change in offset from 3 m straight edge placed over defect (See Note 1)	Damage category
Hairline cracks, insignificant movement of slab from level	< 0.3 mm	< 8 mm	0 Negligible
Fine but noticeable cracks. Slab reasonably level	< 1.0 mm	< 10 mm	1 Very Slight
Distinct cracks. Slab noticeably curved or changed in level	< 2.0 mm	< 15 mm	2 Slight
Wide cracks. Obvious curvature or change in level	2 mm to 4 mm	15 mm to 25 mm	3 Moderate
Gaps in slab. Disturbing curvature or change in level	4 mm to 10 mm	> 25 mm	4 Severe

Extract from Australian Standard AS2870 - Residential slabs and footings<sup>2</sup>

#### **Notes**

1. The straight edge is centred over the defect, usually, and supported at its ends by equal height spacers. The change in offset is then measured relative to this straight edge, which is not necessarily horizontal.

2. Local deviation of slope, from the horizontal or

vertical, of more than 1:100 will normally be clearly visible. Overall deviations in excess of 1:150 is undesirable.

3. Account should be taken of the past history of damage in order to assess whether it is stable or likely to increase.

## 2.11 Domestic concrete slabs that form part of a termite protection system

Where a domestic slab is designed in accordance with the BCA and is to act as part of a termite management system, cracks through the slab are not to exceed Category 1 or 1 mm width as set out in Table 2.10.

## 2.12 Serviceability of concrete slabs – slope deviation

Slab and footing systems are defective if the local deviation of slope from the horizontal or vertical exceeds  $L/100$  where  $L$  is the length of a straight edge (usually 3 m in length), placed over the defect, and supported at its ends by equal height spacers. The change in offset is then measured relative to this straight edge. Using a 3 m straight edge centred over the defect this would equate to a maximum allowable deviation of 30 mm.

## 2.13 Finish to concrete slabs

Within the first 12 months after completion of the work, the finish to a concrete slab is defective if it is not suitable for the documented applied finishes such as tiles, polished concrete, carpet or sheet flooring, including set downs where required.

## 2.14 Repairs to exposed concrete slabs

Repairs, where failure has been due to cracking and/or movement, may involve the removal of the affected area. Within the first 12 months of completion of the repair work, the repair is defective if it does not, as closely as practicable, match the existing work in appearance, colour

and texture. Minor variations in finish are not considered defective.

Where repairs are made to a domestic slab designed in accordance with the Building Code of Australia to act as part of a termite management system, any repairs are defective, unless they ensure on completion that the termite management system is appropriately re-instated in accordance with the requirements of the Building Code of Australia.

## 2.15 Slab edge dampness

The performance requirements of the BCA require, amongst other things, that buildings safeguard occupants from illness and injury and protect buildings from damage caused by surface water, external moisture entering a building and the accumulation of internal moisture in a building.

Accordingly, the waterproofing of slab and footing systems is defective if it permits surface water, sub-surface water and other external moisture to enter a building to the extent that it compromises the health and safety of occupants or has the potential to damage the building or its contents. (e.g. permits mould growth or damages floor finishes, carpets etc.).

The work is not defective if such water penetration is caused by actions or inactions by the owner, or others, outside of the contractor's control including such things as, landscaping that directs water towards the building or restricts the free flow of water away from the building, excessive garden watering adjacent to the building and the subsequent construction of paving adjacent to the building that compromises the ability, of the water to drain away from the building.

# 3.00 MASONRY

## 3.01 Masonry types

This section includes tolerances for the following generally-used types of masonry, including:

- Clay and concrete brick construction
- Clay and concrete brick veneer construction
- Concrete block construction.

The tolerances for the above may not always be appropriate for some types

of masonry construction, such as pre-fabricated masonry panels, aerated concrete blocks, irregular cut stone, rustic finish masonry with irregular edges and appearance etc. In these cases, the manufacturer's requirements must be followed.

## 3.02 Damage to masonry walls

Refer to Table 3.02 for descriptions of categories of damage.

**Table 3.02**

### CLASSIFICATION OF DAMAGE WITH REFERENCE TO WALLS

Description of typical damage and required repair	Approx crack width limit (See note 1)	Damage category
Hairline cracks	< 0.1 mm	0 Negligible
Fine cracks that do not need repair	< 1 mm	1 Very Slight
Cracks noticeable but easily filled. Doors and windows stick slightly	< 5 mm	2 Slight
Cracks can be repaired and possibly a small amount of wall will need to be replaced. Doors and windows stick. Service pipes can fracture. Weather tightness often impaired	5 mm to 15 mm (or a number of cracks 3 mm or more in one group)	3 Moderate
Extensive repair work involving breaking-out and replacing sections of walls, especially over doors and windows. Window and door frames distort. Walls lean or bulge noticeably, some loss of bearing in beams. Service pipes disrupted	15 mm to 25 mm but also depends on number of cracks	4 Severe

Extract from AS2870 - Residential slabs and footings<sup>3</sup>

#### Notes

1. Where the cracking occurs in easily repaired plasterboard or similar clad-framed partitions, the crack width limits may be increased by 50% for each damage category.

2. Crack width is the main factor by which damage to walls is categorised. The width may

be supplemented by other factors, including serviceability, in assessing category of damage.

3. In assessing the degree of damage, account shall be taken of the location in the building or structure where it occurs, and also of the function of the building or structure.



Category 3 or greater damage to walls is a defect and requires investigation, stabilisation, monitoring and rectification work, which may include breaking out and replacing sections of the wall. Category 0, 1 and 2 cracks to walls are not defects, Category 2 damage is a defect if identified within 12 months from date of completion and requires minor repair work such as repointing.

### 3.03 Articulation in masonry walls

Masonry work is defective if articulation and movement control joints have not been provided as required by Australian Standards AS2870, AS3700, or the contract. Articulation joints are defective if they do not comply with the following:

- be free of mortar
- be vertical and not toothed unless tothing is specifically considered in the design

- extend the full height of the masonry but may be omitted below the damp-proof course (DPC) if there is not more than 600 mm of masonry below the DPC at the position of the joint
- the material used to fill the joint must be of a type that does not inhibit the performance of the joint
- be sealed with a suitable flexible sealant to match the colour of the adjacent masonry.

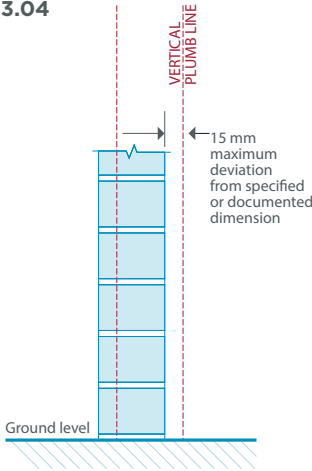
### 3.04 Masonry construction generally

Masonry work is defective if it exceeds the tolerances set out in Table 3.04.

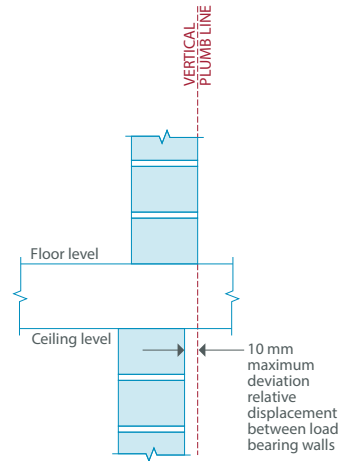
**Table 3.04****TOLERANCES IN MASONRY CONSTRUCTION**

Item	Tolerance
a. Horizontal position of any masonry element specified or shown in plan at its base or at each storey level	±15 mm (Refer Figure 3.04 A)
b. Relative displacement between loadbearing walls in adjacent storeys intended to be in vertical alignment	±10 mm (Refer Figure 3.04 B)
c. Maximum deviation from plumb within a storey from a vertical line through the base of the member	The lesser of ±10 mm per 3 m of height or 0.05 times the thickness of the leaf (Refer Figure 3.04 C)
d. Maximum deviation from plumb in the total height of the building (from the base)	±25 mm (Refer Figure 3.04 D)
e. Maximum horizontal or vertical deviation of a surface from a plane surface (bow)	±5 mm (Refer Figure 0.03 (i) and (iv))
f. Deviation of bed joint from horizontal, or from the level specified or shown in elevation	±10 mm in any 10 m length, ±15 mm in total (Refer Figure 3.04 G)
g. Deviation from specified thickness of bed joint	±3 mm (Refer Figure 3.04 H)
h. Minimum perpend thickness	5 mm
i. Deviation from specified thickness of perpend	±10 mm max.
j. Deviation from specified width of cavity	±15 mm (Refer Figure 3.04 L)
Extract from AS3700 - Masonry structures <sup>4</sup>	

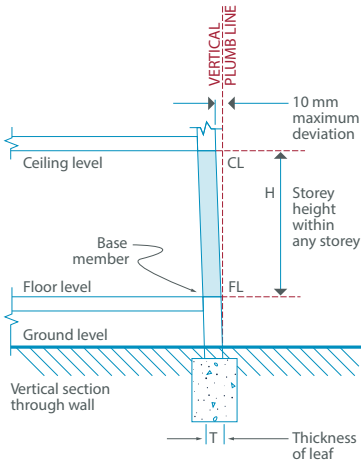
**Figure 3.04**



A)



B)



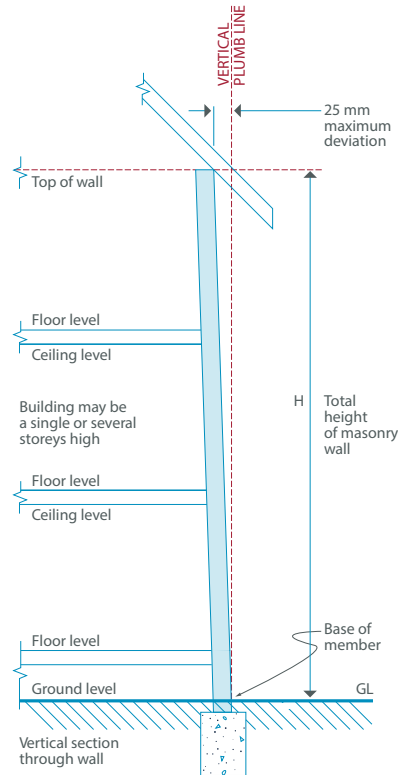
Formula:  
Maximum Deviation from plumb within any storey

$$\text{Structural lesser of } \pm \left( \frac{10H}{3} \right) \text{ or } \pm 0.05T$$

H measured in m  
T measured in mm

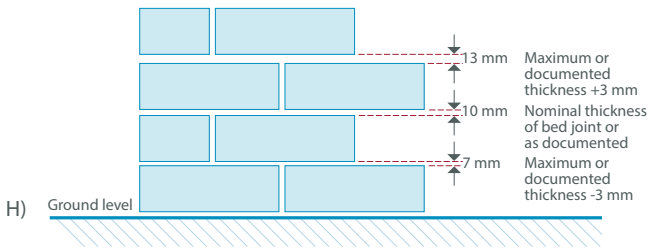
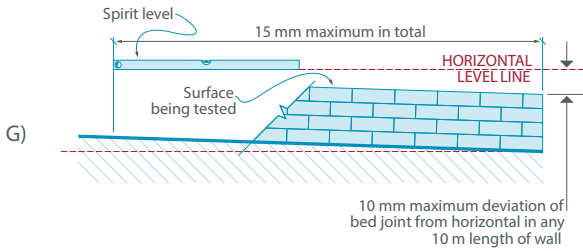
For example if a storey height, H= 4000 mm and leaf thickness, T= 190 mm. Tolerance is the lesser of  $10 \times 4.0 \div 3 = 13.3$  mm or  $0.05 \times 190 = 9.5$  mm i.e. 9.5 mm

C)

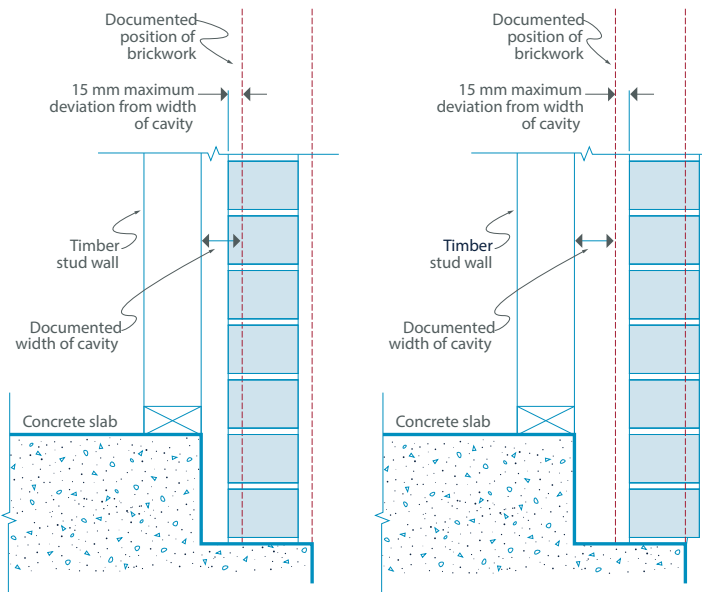


D)

Figure 3.04 continued



TOLERANCES IN MASONRY CONSTRUCTION



L) Note: Refer BCA for minimum cavity width

### 3.05 Durability requirements for masonry and built-in components

Masonry and/or built-in components are defective if they do not satisfy the durability requirements for the relevant exposure environments as required by *Australian Standard AS 3700 Masonry structures*.

### 3.06 Blending and matching of masonry – repair work

If matching masonry in alteration and repair work is not reasonably possible, contractors should use a practical approach and where possible incorporate a physical joint, a door or window, downpipes or other similar separating materials, to “break” the visual impact. In the case of alteration and repair work however, failure to match the original masonry units is not considered a defect.

Mortar repairs should be carried out to match existing mortar as closely as practicable. A perfect colour match may not be possible and differences may diminish over time. Some variation of masonry features such as colour, texture and pattern are to be expected between batches and are not considered a defect.

### 3.07 Blending and matching of masonry – new work

To avoid inconsistency in appearance, wherever practicable, masonry units for buildings should be obtained from the same batch.

During the first 12 months from completion of the work, masonry areas that vary in colour are defective if the

units are not mixed and/or distributed in accordance with the manufacturer’s installation instructions or do not reasonably match masonry in display panels and display homes.

### 3.08 Masonry facing

Within the first 12 months after completion of the work and unless documented otherwise, masonry is defective if it is not laid with true, fair or finish face outwards.

Within the first 12 months after completion of the work and unless documented otherwise, masonry faces are defective if they are not cleaned and free of excess mortar or stains when viewed from the normal viewing position.

### 3.09 Mortar for masonry

Mortar is defective if it is not in accordance with the requirements of the *Australian Standards AS 3700 Masonry structures* and *AS 4773 Masonry for small buildings Parts 1 & 2*.

### 3.10 Voids and holes in mortar

Within 12 months from date of completion of the work, voids and holes in mortar in masonry walls, excepting weepholes and vents, are defects if they are visible from a normal viewing position.

### 3.11 Cracked masonry unit

It is characteristic of some masonry units to have surface cracks or crazing as part of the manufacturing process. These are not defects unless they result in the complete fracture of the unit.

A masonry unit is defective when visible surface cracks exceed a width of 2 mm.

Wall surfaces are defective if they have more than one cracked or crazed unit per square metre.

### 3.12 Cleaning, mortar smears and stains

Within 12 months from date of completion of the work, stains, mortar smears and damage caused by cleaning are defects if they are visible from a normal viewing position.

### 3.13 Masonry tolerances

Where the masonry work fails to conform to the tolerances set out in Table 3.04, it is defective.

### 3.14 Masonry inside garages and similar spaces and under applied finishes

Structural masonry that is visible inside a garage or similar space or through an applied finish is defective if it does not comply with the tolerances in Table 3.04, however, these tolerances do not apply to the non-face side of single skin masonry.

Non-structural masonry that is visible inside a garage or similar space or through an applied finish is defective if it does not comply with the tolerances in Table 3.04. However, these tolerances do not apply to the non-face side of single skin masonry.

When there is an applied finish such as render, where the joints are not intended to be visible, masonry need not be saw cut and 1/4 or 3/4 units may be used in lieu of full masonry units.

### 3.15 Vertical alignment of perpend joints

Within the first 12 months after completion of the work, a line of masonry perpend is defective if it exceeds a maximum deviation from vertical alignment of 15 mm per 2 m height of wall, measured from centre to centre of perpend joints.

### 3.16 Horizontal alignment of bed joints

Bed joints in walls including adjacent isolated piers and either side of openings and control joints are defective if they are not on the same horizontal plane, or do not comply with Table 3.04 of this *Guide*.

### 3.17 Base bed joint and base row of masonry

Exposed base bed joints above the finished ground level are defective if they exceed 20 mm in thickness. Base bed joints that are not exposed above the finished ground level are defective if they are greater than 40 mm in thickness. Split masonry units and units on edge used in the base row of units are defective if they are exposed.

### 3.18 Masonry that overhangs concrete slabs

The installation of a masonry course is defective if it is laid on a concrete slab or strip footing so as to project over the edge of the slab or footing by more than 15 mm. Refer to Figure 4.11 in this *Guide*.

### 3.19 Damp proof courses

Damp proof courses are defective if they are not installed in accordance with the *Building Code of Australia* and *Australian Standard AS 3770 Masonry structures and AS 4773 Masonry for small buildings Parts 1 & 2*.

### 3.20 Raking of joints

Within the first 12 months from completion of the work and where documented, mortar joints in masonry units are defective if they are raked out to a depth of more than 10 mm or are not consistent in depth throughout.

### 3.21 Brick sills, sill tiles and shrinkage allowance for timber framing

In masonry veneer walls a gap must be left between the timber frame and the top of the masonry wall, window sills etc., to allow for initial settlement of the timber framing caused by timber shrinkage.

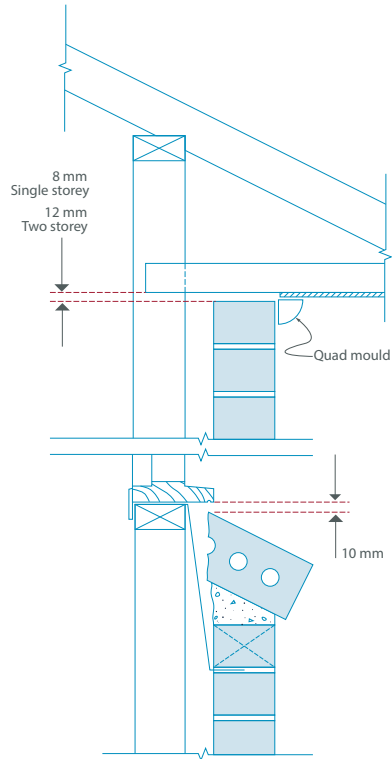
Work that does not provide the following clearances within 12 months from completion of construction is defective:

- i 10 mm at sills of windows; and
- ii 8 mm at roof overhangs of single storey buildings; and
- iii 12 mm at roof overhangs to two storey buildings.

If unseasoned hardwood timber is used, clearances must be increased from these minimums to suit the particular timber species used.

**Figure 3.20**

SHRINKAGE ALLOWANCE FOR TIMBER FRAMING



### 3.22 Sealing of masonry articulation joints

Articulation joints in masonry veneer, single skin masonry or double skin masonry, are defective if they have not been sealed.

Within the first 12 months from completion of the work and unless documented otherwise, flexible mastic or sealant is defective if it does not match as close as practicable the colour of the adjacent surface, and has not been used in accordance with the manufacturer's installation instructions.

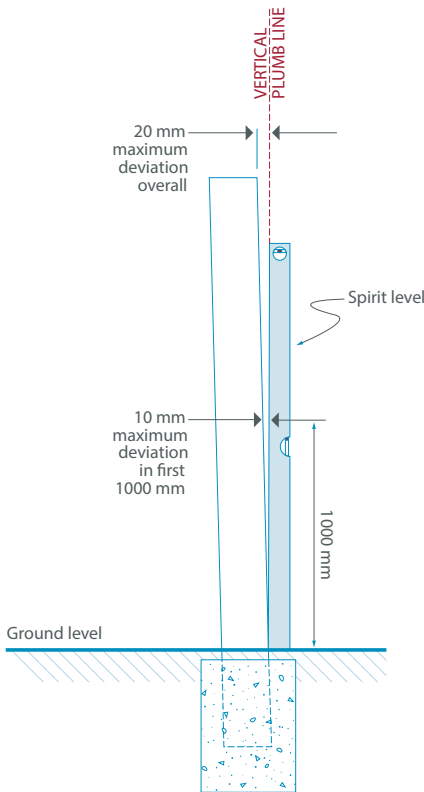
# 4.00 FRAMING

## 4.01 Verticality or plumbness of stumps or piles

Stumps or piles are defective if they deviate from vertical by more than 10 mm in the first 1 m or more than 20 mm in total length, measured from ground level. Refer to Figure 4.01 in this Guide.

**Figure 4.01**

### VERTICALITY OF STUMPS, POSTS OR PILES



## 4.02 Verticality or plumbness of timber frames and exposed posts

Posts and wall frames are defective if they deviate from vertical by more than 4 mm within any 2 m height. Refer to Figure 0.03 in this Guide for method of measurement.

## 4.03 Straightness of timber frame surfaces

Frames are defective if they deviate from plane (horizontal or vertical bow) by more than 4 mm in any 2 m length of wall. Refer to Figure 0.03 in this Guide for method of measurement.

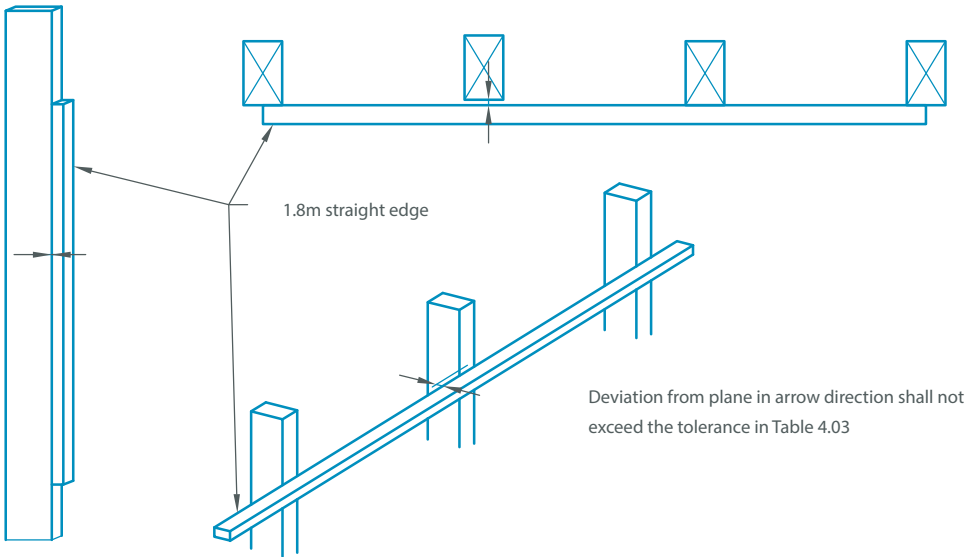
Frames that will be subject to the subsequent fixing of plasterboard must be such that when a 1.8m straightedge is placed over the wall frame the maximum deviation from the straightedge must not exceed 4mm over 90% of the area and not exceed 5mm over the remaining area. Frames that exceed these tolerances are defective. Refer Figure 4.03 which reproduces Table 4.2.2 from *Australian Standard AS 2589*.



**Figure 4.03**

**DEVIATION IN THE POSITION OF THE BEARING SURFACE OF THE FINISHED FRAMING**

Substrate type	Levels 3 and 4		Level 5	
	Deviation of 90% of area (mm)	Deviation of remaining area (mm)	Deviation of 90% of area (mm)	Deviation of remaining area (mm)
Steel and timber framing and battened masonry	4	5	3	4



Extract from AS2589 - Gypsum lining - Application and finishings<sup>5</sup>

## 4.04 Steel wall frames

Steel wall framing is defective if it does not comply with the *Building Code of Australia* and one of the following AS4100 – Steel structures, AS/NZS 4600 – Cold formed steel structures, or NASH – Residential and low-rise steel framing – Part 1 Design criteria.

Walls are defective if they are not positioned within 5mm of their specified position.

Walls that are specified as straight are defective if they deviate by more than 5mm over a 3 metre wall length and where wall panels join to form a continuous wall, the critical face or faces of the panel are defective if they deviate by more than 2mm at the joint.

Frames that will be subject to the subsequent fixing of linings must be such that when a 1.8m straightedge is placed over the wall frame the maximum deviation from the straightedge must not exceed 3mm over 90% of the area and not exceed 4mm over the remaining area. Frames that exceed these tolerances are defective.

Walls must not deviate from vertical by more than  $H/600$  where H is the height of the wall, or 3mm, whichever is the greater.

Loadbearing structural walls are defective if the gaps between the bottom plate and concrete slab are greater than 3mm and are not packed at each stud with load bearing shims or grout. Non-loadbearing walls are defective if gaps between the bottom plate and concrete slab exceed 3mm and the gaps are not filled at each jamb stud and at points where fixed to the slab with load bearing shims or grout.

## 4.05 Packing under timber bearers

Packing to stumps or piers under bearers is defective if it is not made of durable, non-compressible materials, such as engineered plastic packers, or does not provide the minimum bearing area required by the AS 1684 – Residential timber-framed construction, or is more than a total thickness of 20 mm or is not fixed in a workman- like manner.

## 4.06 Attachment of joist, bearers and trusses to steel wall frames

Attachment of floor joists, bearers, trusses and rafters to walls is defective if the gap between these members and the wall exceeds 3mm and the gap is not packed with load bearing shims.

Trusses, rafters and ceiling joists are defective if they are not positioned within 5mm of their specified position.

## 4.07 Timber shrinkage

Timber is defective if it has shrunk more than 10% if it is unseasoned or 3% if it is seasoned.

## 4.08 Fixing timber stud walls to concrete slabs

Fixing of timber bottom plates is defective if it does not comply with the *Building Code of Australia, Australian Standard AS 1684 – Residential timber-framed construction* and the fixing manufacturer's installation requirements.

Depending on the manufacturer's requirements for the concrete nail/

masonry anchor used and the required uplift pull-out force and wind category, the distance of the fixing from the edge of the slab is required to be between 50 to 70 mm minimum for standard 20 MPa concrete.

The fixing point cannot be less than five times the diameter of the fastener from the edge of the timber plate which equates to 25 mm for a 5 mm diameter nail and 50 mm for a 10 mm diameter masonry anchor.

#### 4.09 Fixing metal stud walls to concrete slabs

Fixing of metal bottom plates is defective if it does not comply with the *Building Code of Australia* and the fixing manufacturer's installation requirements.

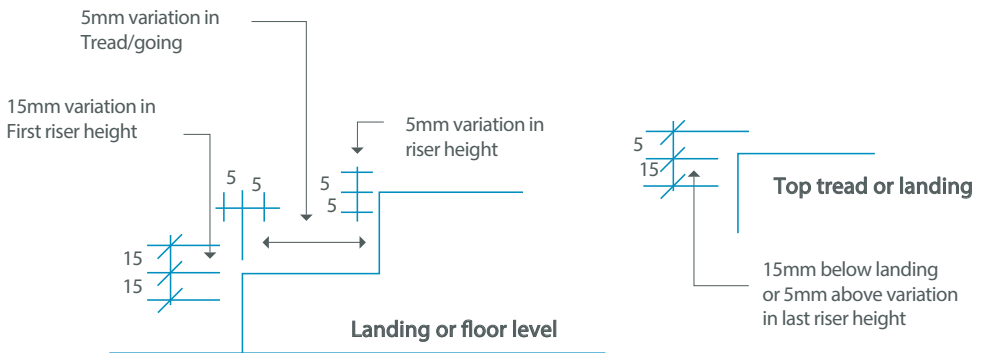
#### 4.10 Treads and risers in stairs in non-fire rated stairs

Timber stairs are defective if they do not comply with the requirements of the *Building Code of Australia*. The top and bottom risers may be varied to allow for the installation of the approved documented floor finishes, to provide uniform and constant riser height throughout after the installation of the approved floor finishes. This also applies to top and bottom risers of concrete stairs.

A tolerance of up to 5 mm from the nominated dimensions in the approved documents is considered acceptable to allow for the variation in behaviour of timber used in the construction of the stair caused by atmospheric moisture changes.

This tolerance shall not be applied to allow for poor construction practice. Refer to figure 4.10

**Figure 4.10**

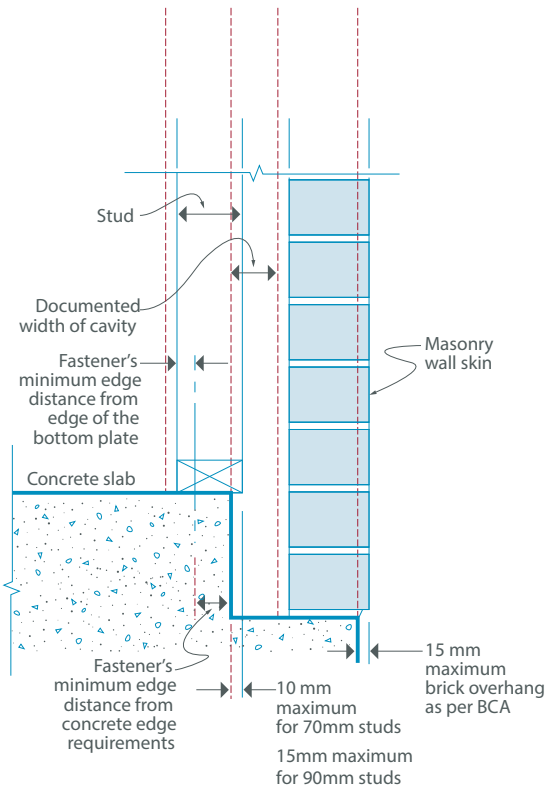


## 4.11 Bottom plates that overhang concrete slabs

Bottom plates that are at least 90 mm wide and overhang concrete slabs by in excess of 15 mm are defective and bottom plates that are 70 mm wide and overhang slabs by in excess of 10 mm are defective. In each instance, these permissible overhangs, are subject to the minimum edge distance for both the bottom plate and the concrete slab fixing locations being satisfied and minimum cavity widths as required by the *Building Code of Australia* also being maintained.

### Refer Figure 4.11

#### BOTTOM PLATES THAT OVERHANG CONCRETE SLABS



## 4.12 Timber durability

Timber used for structural purposes is defective if it does not have adequate durability for its relevant exposure conditions as defined in the Building Code of Australia and *Queensland Government, Department of Agriculture, Fisheries and Forestry - Construction Timbers in Queensland*.

# 5.00 WALL CLADDING

## 5.01 Leaks in wall cladding

Completed wall cladding and accessories are defective if they leak under weather conditions anticipated by the BCA.

## 5.02 Wall cladding

Within the first 12 months of completion of the work, staining, folds, splits, dents, open joints between panels, cracking and other distortions in wall cladding, are defects if they are visible from a normal viewing position at ground level or an upper floor level.

Any corrosion of metal wall cladding or its fixings is a defect.

## 5.03 Wall cladding boards

Wall cladding boards are defective if they are not fixed in accordance with Table 5.03 which is a reproduction of Table 3.5.3.1 from the BCA.

**TABLE 5.03**

**FIXING REQUIREMENTS FOR WALL CLADDING BOARDS**

Material	Maximum stud spacing (mm)	Minimum lap (mm)	Stud fixings (mm)	
			Timber	Steel
Minimum 7.5 mm thick fibre-cement	600	25	40×2.8 G	(8-18) ×35 S
Minimum 9.5 mm thick hardboard	600	20	50×2.8 GC	(8-18) ×35 S
Legend				
G	= Galvanised fibre-cement nail			
GC	= Galvanised clout or flathead nail			
S	= Self embedding head screw			

## 5.04 Fibre cement sheet wall cladding

Fibre-cement sheet wall cladding is defective if it is not installed in accordance with Table 5.04 which is a reproduction of Table 3.5.3.2 from the BCA and where also acting as structural bracing installed using the lesser of the stud and fixing spacings for both applications.

## 5.05 Eaves and soffit linings

External fibre-cement sheets and linings used as eaves and soffit linings are defective if they are not fixed in accordance with Table 5.05 which is a reproduction of Table 3.5.3.5 from the BCA using either:

- 2.8 x 30mm fibre-cement nails; or
- No. 8 wafer head screws (for 4.5mm and 6mm sheets only); or
- No. 8 self-embedding head screws (for 6mm sheets only)

**Table 5.04**

**STUD AND FIXING SPACINGS FOR 6MM FIBRE-CEMENT SHEET WALL CLADDING**

Design wind speed	Maximum stud spacing		Maximum nail spacing (2.8 mm fibre-cement nails)			
	Within 1200 mm of the external corners of the building	Else-where	Within 1200 mm of the external corners of the building		Elsewhere	
			Body	Edges	Body	Edges
N1	600	600	300	200	300	200
N2	600	600	200	200	300	200
N3	450	600	200	200	200	200

**Table 5.05**

Maximum eaves width	Design wind speed	Maximum trimmer spacings (mm)		Maximum fastener spacings (mm)	
		Within 1200 mm of the external corners of the building	Elsewhere	Within 1200 mm of the external corners of the building	Elsewhere
600	N1	600	900	200	300
	N2	600	800	200	300
	N3	500	700	200	300
1200	N1	600	750	200	300
	N2	600	700	200	300
	N3	500	650	200	300

# 6.00 ROOFING

## 6.01 Flashings and accessories

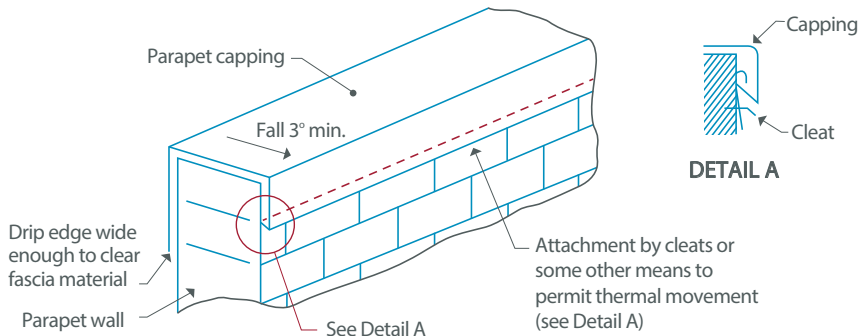
Completed flashings and accessories are defective if they leak under weather conditions anticipated by the BCA.

Inadequate construction of roof flashings such as cavity flashings, stepped flashings, parapet flashings, apron flashings and hip and valley flashings are a major cause of leaking roofs.

Some recommended flashings details sourced from the *Building Code of Australia, Australian Standards Handbook HB39 1997 - installation code for metal roofing and wall cladding* and manufacturer's installation recommendations, are provided in Figure 6.01. Where a membrane system is used on parapet walls these systems are defective if they are not installed in accordance with *AS4654 - Waterproofing membranes for external above-ground use*.

**Figure 6.01**

### **A. PARAPET FLASHING (SOURCE HB39)**



Extract from Australian Standards Handbook HB39 - 1997 - Installation code for metal roofing and wall cladding<sup>6</sup>



Figure 6.01

**B. PARAPET FLASHING SET INTO BRICKWORK OR ROOF TO WALL FLASHING (SOURCE BCA)**

**Parapet flashing**

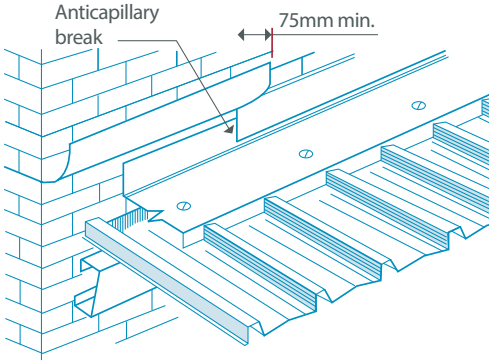


Figure 6.01

**C. STEPPED CAVITY FLASHING**

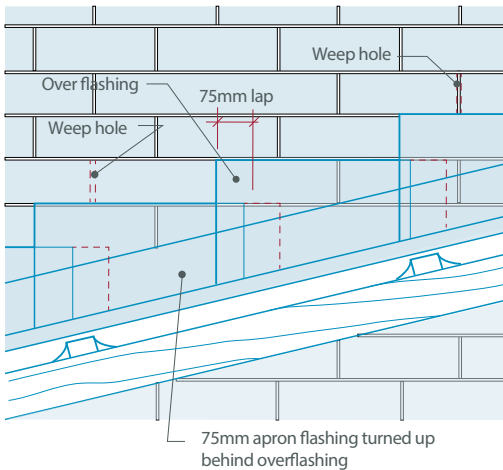
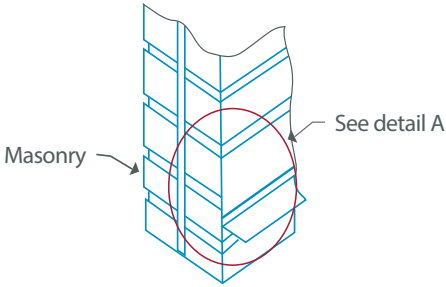


Figure 6.01

**D. APRON/COVER FLASHING**

Cover flashing



DETAIL A

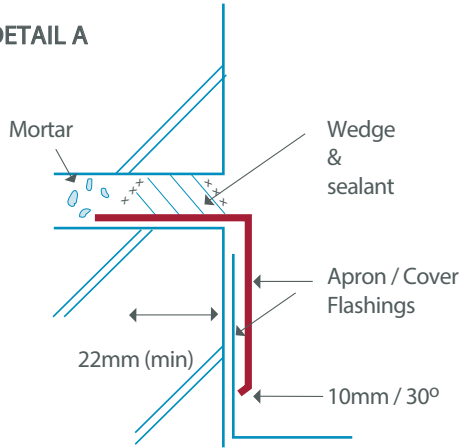


Figure 6.01

**E. SKILLION PATIO ROOF EXTENSION TO EXISTING DWELLING**

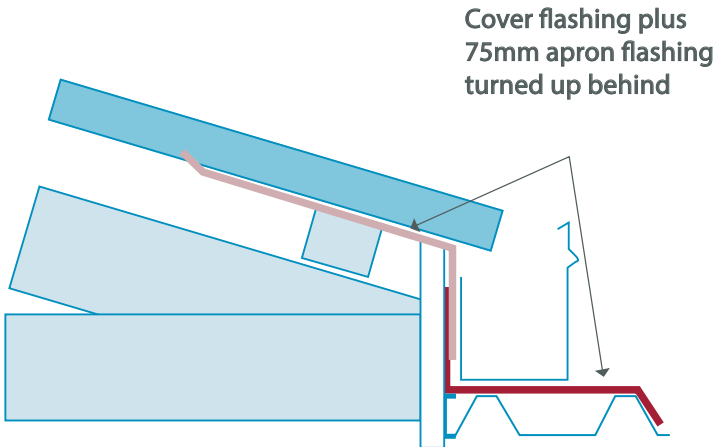
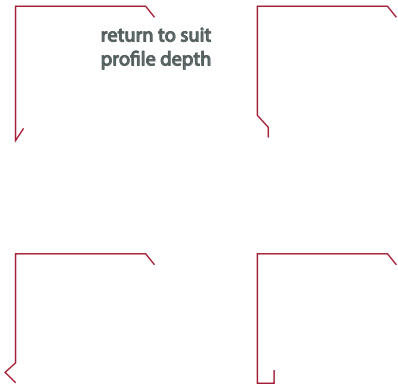
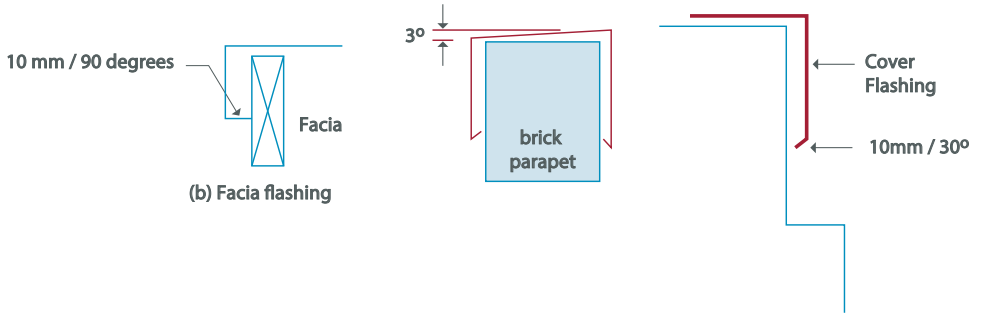


Figure 6.01

**F. ANTI-CAPILLARY BREAKS**



## 6.02 Leaks in roofing

Roofing and accessories are defective if they leak under weather conditions anticipated by the BCA.

## 6.03 Roof cladding

Within 12 months from date of completion of the works, staining, folds, splits, dents, open joints between panels, cracking and other distortions in roof cladding, are defects if they are visible from a normal viewing position at ground level or an upper floor level, unless these imperfections were caused by actions or inactions of the owner, or other persons outside of the contractors control. (e.g. installation on the roof of satellite TV equipment after completion of work by the contractor).

Any corrosion of roof cladding is a defect unless caused by actions or inactions of the owner (e.g. inadequate maintenance).

Roof cladding and/or flashings screws and other fixings are defective if they do not comply with the corrosion resistance provisions of the BCA for the exposure conditions of the site.

Roof cladding and/or flashings, screws and other fixings are defective if they have not been installed in accordance with the requirements of the BCA and manufacturer's installation instructions.

## 6.04 Roof tiles

Roof tiles are defective if they have not been supplied and fixed in accordance with the *Building Code of Australia, Australian Standards AS 2049 – Roof tiles and AS 2050 – Installation of roof tiles and manufacturer's installation instructions*.

In accordance with the Roofing Tile Association of Australia Guidance Note in cyclonic wind regions C2 and C3 tiles are defective if flexible pointing material is used as a mechanical fixing product, as the sole means of fixing ridge and hip tiles. All such tiles must be fixed with an approved clip or screw or such other method as recommended by the tile manufacturer.

In cyclonic wind regions C2 and C3 tiles are defective if all cut tiles are not fixed with an approved clip or screw or such other method as recommended by the tile manufacturer.

Within 12 months from completion of the work roof tiles are defective if they do not conform to the manufacturer's sample.

Within 12 months from completion of the work irregularities in tiles are defects if they are visible from a normal viewing position at ground or upper floor levels.

Minor surface marks or blemishes arising from the tile manufacturing process are not defects.

## 6.05 Roof tile pointing

Unless documented otherwise, the absence of pointing where required by the BCA, *Australian standard AS 2049 - Installation of roof tiles* or the contract is a defect.

Within 12 months of completion of the work, pointing is defective if it becomes dislodged or washed out. Minor cracking of pointing is not a defect. Within 12 months of completion of the work pointing is defective if it is not uniform in colour, texture and trowelled off to provide a neat appearance. The

rectification of pointing shall match the existing colour and texture as close as practicable.

### 6.06 Overhang of roofing (tiles and sheet roofing)

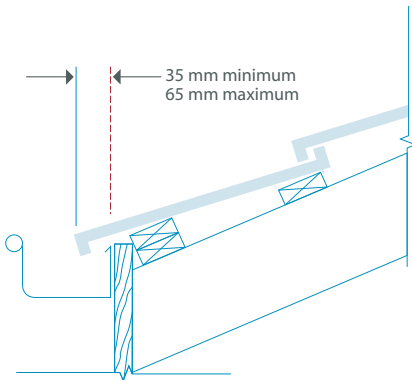
Tiled roofing is defective if tiles overhang the inside face of a gutter by less than 35 mm or by more than 65 mm.

Sheet roofing is defective if it overhangs the inside face of a gutter by less than 50 mm or by more than 65 mm.

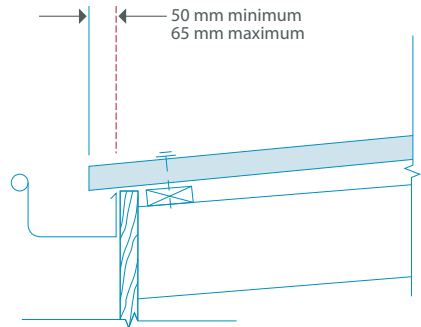
Refer to Figure 6.06.

**Figure 6.06**

#### OVERHANG FOR ROOFING



Tile roofing



Sheet roofing

## 6.07 Cutting of roof tiles

Within the first 12 months after completion of the work tiles are defective if they are not cut neatly to present a straight line at ridges, hips, verges and valleys.

## 6.08 Dry valley construction

Dry valleys, where they are documented, are defective if they are not constructed in accordance with the *Building Code of Australia* or the manufacturer's installation instructions.

## 6.09 Undulating tiled roof lines

Within the first 12 months of completion of the works, undulations in the line of roof tiles are defects if the variation exceeds 20 mm in any 4 m length measured in the roof plane.

## 6.10 Alignment of trusses

Trusses or chords of trusses that bow more than the lesser of  $L/200$  or 50 mm are defective, where L is the length of the truss or chord.

## 6.11 Verticality or plumbness of trusses

Trusses or parts of trusses that are erected with a vertical deviation more than the lesser of  $H/50$  or 50 mm are defective, where H is the height of the truss.

# 7.00 PLUMBING

## 7.01 Plumbing general

Any plumbing work is defective if it does not comply with relevant provisions of the *Building Code of Australia*, the *Plumbing Code of Australia*, plumbing regulations and the contract documents.

## 7.02 Design of gutters and downpipes

Gutters and downpipes that are not designed and installed in accordance with the BCA, *Australian Standard AS 3500.3 Stormwater drainage* or *Australian Standard AS/NZS 3500.5 Domestic installations: Section 5 - Stormwater drainage* are defective.

Downpipes are inadequate and defective if they serve more than 12 m of gutter.

## 7.03 Water retention in gutters

Within 12 months of completion of the work, gutters are defective if they hold water and have a fall of less than 1:500 for eaves gutters (unless attached to a metal fascia) and 1:100 for box gutters. Eaves gutters attached to metal fascias shall not pond water.

## 7.04 Joints in gutters

Unless documented otherwise, gutters are defective if they have joints lapped less than 25 mm. Laps that are not in the direction of flow to the outlet, are defective.

Joints that leak are defective.

## 7.05 Fixing of gutters and downpipes

Gutters are defective if they are not securely fixed at stop ends and fixed at not more than 1.2 m centres.

Downpipes are defective if they are not securely fixed.

## 7.06 Flashings

Flashings are defective if they are not provided in accordance with the requirements of the *Building Code of Australia*. Wall and step flashings, and sloping flashings cut into walls are defective if they do not incorporate weathering folds, anti-capillary breaks and sealing.

## 7.07 Water hammer

Within the first 12 months after completion of the work, water hammer is a defect unless it is caused by the use of solenoid or ceramic valves in appliances.

## 7.08 Pipe penetrations through external walls and inside cupboards

Within the first 12 months after completion of the work, plumbing holes are defective if they are not properly grouted as appropriate, or in the case of cabinet work, fitted through neat minimum size penetrations, or fitted with tight fitting cover plates or collars with penetrations kept to the smallest size practicable.

## 7.09 Water discharge from outlets

Water discharge from outlets is defective if it does not drain properly and clears the surrounds of vessels such as baths, basins, troughs or sinks, unless the inability to drain has been caused by actions or inactions of the owner, or other person outside of the contractor's control.



# 8.00 WINDOWS AND DOORS

## 8.01 Installation of external windows and doors

Unless documented otherwise, external windows and doors are defective if they are not installed and flashed to the manufacturer's installation instructions and the Australian Window Association publications "*An Industry Guide to the Correct Fixing of Windows and Doors - Fixing*" and "*An Industry Guide to the Correct Installation of Windows and Doors - Installation*".

## 8.02 Weather-tightness of windows, doors and window and door frames

Window and door frame installations are defective if they allow water to penetrate to rooms in weather conditions anticipated by the BCA.

Windows and doors are defective if, when closed, they allow the entry of water to rooms in weather conditions anticipated by the BCA.

Water entry, through doors is not a defect if they are not intended to prevent water entry. For example, vehicle access doors.

Where external membrane systems are used as part of the weatherproofing system these installations are defective if they are not installed in accordance with *AS4654 - Waterproofing membranes for external above-ground use*.

## 8.03 Door handles, locks and latches

Within 12 months of completion of the works, handles, locks and latches are defective if they do not operate as intended by the manufacturer.

## 8.04 Internal door clearances

With the exception of fire doors and unless documented otherwise, the installation of doors is defective, if within 12 months of completion of the work, clearances between door leaves and frames and between adjacent door leaves are not uniform and within 1 mm of the documented dimension.

Within the first 12 months after completion and if not otherwise documented:

a) A clearance between door leaves or between a door leaf and the frame is defective if it is less than 2 mm or greater than 5 mm in width

b) Unless additional clearance is required for removable toilet doors or air ventilation, a clearance between the door and the floor finish is defective if it is greater than 20 mm after installation of the floor covering.

Note: Clearances under doors will generally be determined by the nominated floor coverings.

## 8.05 Distortion of doors

Door leaves are defective if, within 12 months of completion of the works, they twist or bend to the extent that the door will not properly close, latch or lock.

Door leaves are defective if they allow water penetration into the building under weather conditions anticipated by the BCA.

## 8.06 Sealing of door edges

Within the first 12 months after completion of the work, door leaves are defective if they do not have all sides, top and bottom edges sealed in accordance with manufacturer's recommendations.

## 8.07 Operation of windows and doors

Within the first 12 months after completion of the work, doors and windows are defective if they bind or jam as a result of the contractor's poor workmanship.

## 8.08 Bowed window heads, sills and jambs

Work is defective if all clearances around window heads, jambs and sills are not sufficient to enable installation of the windows to be plumb, level and prevent loads from being imposed on the windows.

Refer also to Section 3.21 Brick sills, sill tiles and shrinkage allowances for timber framing.

## 8.09 Window Barriers

### **Windows to be protected**

Windows are defective if they do not comply with provision 3.9.2.5 of Volume 2 of the BCA that requires that a window opening must have protection if the floor below the window in a bedroom is 2 m or more above the ground surface beneath.

Windows that are located 1.7 m above the floor level are not required to be protected.

Refer Figure 8.09 in this *Guide*.

### **Type of protection**

Windows requiring protection are defective if they are not fitted with a device to restrict the window opening or a screen, with secure fittings. The device or screen, where required, is defective if it permits a 125 mm sphere to pass through the window or screen or is unable to resist an outward horizontal action of 250N.

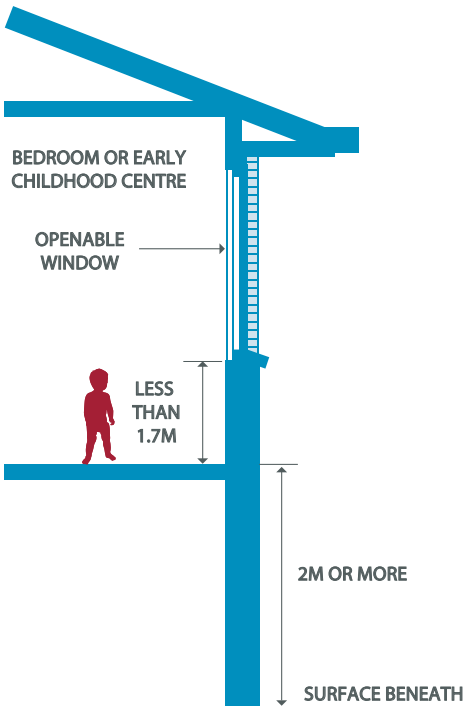
In cases where the screen or device can be removed, unlocked or over ridden, the installations are defective if they are not fitted with a child resistant release mechanism.

## Barrier

In addition to window protection, windows are defective if a barrier is also not installed below the window whenever a child resistant release mechanism is required to be installed in a bedroom; or for all openable windows, in any room, that has a floor level located 4m or more above the ground surface beneath, if the window is not protected.

The barrier is defective if it permits a 125 mm sphere to pass through it or if it has any horizontal or near horizontal elements between 150 mm and 760 mm above the floor that can facilitate climbing.

**Figure 8.09**



# 9.00 PLASTERING, RENDERING AND PLASTERBOARD

## PLASTERING AND RENDERING

### 9.01 Matching and repairing existing rendered surfaces

Within 12 months from completion of the work, repaired work is defective if it does not match as close as possible to existing work. In some instances this may not be possible as the original finish may have significantly aged or the material composition may be impossible to determine without expensive research.

When matching an existing finish, a practical approach must be adopted, and where possible a physical joint, a door, a window, a downpipe or other similar separator should be incorporated to lessen the visual impact of the new work. Where this is not possible, the whole of that wall from corner to corner should be re-finished.

Generally, painting pre-coloured render, to hide defects, is not recommended as this significantly changes texture and appearance.

### 9.02 Cracking and other blemishes in external rendered surfaces on masonry substrate

Assess crack categories and defects in external rendered surfaces on masonry substrate in accordance with Table 3.02. Category 0,1 and 2 cracks are not defects.

Category 3 and 4 cracks are defects.

Within the first 12 months after completion of the work, obvious spot rust marks, due to the composition of the material and other blemishes, are defects if they are visible from a normal viewing position.

### 9.03 Articulation or control joints – provision and cracking

Unless documented otherwise, cracks in external rendered surfaces are defects if control joints in the substrate have not been carried through the render or if control joints have not been installed in accordance with the render or coating manufacturer's recommendations.

With the exception of paint and recommended mastic sealants, render or other applied finishes are defective if they cover articulation or control joints.

### 9.04 Covering articulation or control joints and damp-proof courses

Mouldings and inflexible covering strips are defective if they are installed across articulation or control joints and are fixed or restrained on both sides.

Applied finishes are defective if they impede the performance of any damp-proof course or sub-floor ventilation required in accordance with the *Building Code of Australia*.

Within the first 12 months after completion of the work and unless documented otherwise, flexible mastic or sealant is defective if it does not match as close as practicable the colour of the adjacent surface and has not been used in accordance with the manufacturer's installation instructions.

### 9.05 Cracking in external applied finishes used over lightweight substrate

Cracks or open joints in external finishes applied to lightweight substrate are defects if they are greater than 1 mm and are visible from a normal viewing position within 12 months after completion of the work.

Cracks or open joints in external finishes (excluding painting) applied to lightweight sheet substrate are defects if they allow the ingress of water.

### 9.06 Cracks in internal rendered finishes including hard plaster

Assess crack categories and defects in internal rendered surfaces on masonry substrate in accordance with Table 3.02. Category 0, 1 and 2 cracks are not defects. Category 3 and 4 cracks are defects.

### 9.07 Rendered surfaces

Within the first 12 months after completion of the works, rendered or hard plastered surfaces are defective if they do not reasonably conform to the documented surface, sample or description.

### 9.08 Cracking in external mouldings

Cracks in mouldings and/or other architectural features, including joints between those features and adjacent surfaces, are defects if they are greater than 1 mm and are visible from a normal viewing position within 12 months of completion of the works.

### 9.09 Verticality or plumbness of internal and external wall surfaces

Wall surfaces are defective if they deviate from vertical by more than 4 mm within any 2 m height.

### 9.10 Straightness of internal and external wall surfaces

Walls are defective if they deviate from plane (bow) by more than 4 mm within any 2 m length of wall. This tolerance includes internal walls with a build up of plaster at internal and external corners of the plasterwork.

# PLASTERBOARD AND OTHER SHEETING

## 9.11 Plasterboard sheeting

The installation and jointing of plasterboard sheeting systems is defective if it does not conform to *AS/NZS 2589.1 - Gypsum linings - Application and finishing* and the manufacturer's installation instructions.

## 9.12 Defects in other sheeting systems

Defects in the installation of other sheeting systems such as fibre cement sheeting shall be assessed in the same manner as plasterboard sheeting.

## 9.13 Back blocking

Plasterboard ceilings and walls are defective if they have not been back

blocked in accordance with *AS/NZS 2589.1 - Gypsum linings - Application and finishing*

In particular Level 4 ceilings in any area that contains three or more recessed joints must be back blocked in accordance with *AS 2589*.

## 9.14 Level of finish for plasterboard

Unless documented otherwise, a Level 4 finish, as shown in Table 9.14, is to be adopted as the required standard for domestic plasterboard surfaces.

Unless documented otherwise, plasterboard in pantries, built-in wardrobes, cupboards, under-stairs and storage areas is defective if it does not have at least a Level 4 finish.

**Table 9.14**

### LEVELS OF FINISH FOR PLASTERBOARD

Level	Level of finish
Level 0	This level of finish may be useful in temporary construction. No stopping, taping, finishing or accessories are required. The work is confined to gluing or screwing/nailing sheets in place.
Level 1	For use in plenum areas above ceilings, in areas where the work would generally be concealed, or in building service corridors and other areas not normally open to public view. All joints and interior angles shall have tape embedded in joint compound. Surface shall be free of excess joint compound. Tool marks and ridges are generally acceptable with accessories optional at specifier's discretion in corridors and other areas with pedestrian traffic.

**Table 9.14 cont.**

Level	Level of finish
Level 2	For use in warehouse, storage or other similar areas where surface appearance is not of primary concern. All joints and interior angles shall have tape embedded in joint compound and one separate coat of joint compound applied over all joints and fastener heads. Surface shall be free of excess joint compound. Some minor tool marks and visible edges are generally acceptable.
Level 3	For use in areas which are to receive heavy or medium texture (spray or hand applied) finishes or where heavy wall covering paper are to be applied as the final decoration. This level of finish is not generally suitable where smooth painted surfaces or light to medium weight wall coverings are documented. All joints and interior angles shall have tape embedded in joint compound and one separate coat of joint compound applied over all joints and fastener heads. All joint compound shall be finished smooth. (Generally this is achieved by scraping off nibs and ridges and the like, with the edge of a trowel.)
Level 4	This is generally the accepted level of finish for domestic construction. It is used where light textures or wall coverings and smooth textured finishes are illuminated by critical lighting and where smooth textured finishes and satin/flat/low sheen paints are illuminated by non-critical lighting. In critical lighting areas, flat paints applied over light textures tend to conceal joints. Gloss and semi-gloss paints are not generally suitable over this level of finish. The weight, texture and sheen level of wall coverings applied over this level of finish should be carefully evaluated. Joints and fasteners must be adequately concealed if the wall covering material is lightweight, contains limited pattern, has a gloss finish, or has any combination of these features. All joints and interior angles shall have tape embedded in joint compound and a minimum of two separate coats of joint compound applied over all joints, angles, fastener heads and accessories. All joint compound shall be finished smooth and be free of tool marks and ridges.

**Table 9.14 cont.**

Level	Level of finish
Level 5	This level of finish is for use where gloss or semi-gloss paints are documented or where critical lighting conditions occur on satin, flat or low sheen paints. All joints and interior angles shall have tape embedded in joint compound and a minimum of two separate coats of joint compound applied over all joints, angles, fastener heads and accessories. All joint compound shall be finished smooth and be free of tool marks and ridges. This shall be followed by proprietary surface preparations or (in some areas) skim coating to remove differential surface textures and porosity.

Based on: AS/NZ 2589.1: Section 6.6 Levels of Finishes for Plasterboard Surfaces

**Notes to table 9.14**

1. Skim coating is a term denoting a thin finish coat, trowelled or airless sprayed to achieve a smooth finish. It is a thin coat of joint compound over the entire surface to fill imperfections in the joint work, smooth the paper texture and provide a uniform surface for decorating. Skim coatings would not normally exceed 1 mm in finished thickness.
2. Advice should be sought prior to finish for gloss paints or in areas of critical lighting.
3. Critical lighting occurs when the light source is nearly parallel to the wall or ceiling surface.
4. Non-critical lighting occurs when the light that strikes the surface is diffused and not parallel to that surface.

*Table 9.14 and notes based on AS/NZS 2589 - Gypsum linings - Application and finishing* <sup>7</sup>



## 9.15 Cracking in plasterboard, hard plaster and other plaster elements

Within the first 12 months after completion of the works, cracking in walls, ceilings and bulkheads that is greater than 1 mm is a defect if it is visible from a normal viewing position.

Within the first 12 months after completion of the works cracking in recessed and butt joints is a defect if it is visible from a normal viewing position.

Cracking after the initial 12 month period shall be assessed in accordance with Table 3.02. Category 0, 1 and 2 cracks are not defects. Category 3 and 4 cracks are defects.

## 9.16 Cracking in cornices

Within the first 12 months after completion of the works, cracking of cornice joints such as butt joints and mitres, and at junctions with walls and ceilings is a defect if it is greater than 1 mm and can be seen from a normal viewing position.

Cracking after the initial 12 month period shall be assessed in accordance with Table 3.02. Category 0, 1 and 2 cracks are not defects. Category 3 and 4 cracks are defects.

## 9.17 Cracking at junctions of dissimilar materials

Within the first 12 months of completion of the works cracking at junctions between dissimilar materials is a defect if it is greater than 1 mm or is visible from a normal viewing position.

Cracking after the initial 12 month period shall be assessed in accordance with Table 3.02. Category 0, 1 and 2 cracks are not defects. Category 3 and 4 cracks are defects.

## 9.18 Straightness and alignment of plaster cornices

Within the first 12 months after completion of the works, plaster cornices are defective if they deviate from a straight line greater than 4 mm over a length of up to 2 m.

## 9.19 Peaking or jointing in plasterboard

Within the first 12 months after completion of the work, plaster peaking or jointing is a defect if it is visible from a normal viewing position.

## 9.20 Nail popping in plasterboard

Nail popping in plasterboard sheeting is a defect if it occurs within 12 months of completion of the work or if it occurs within 6 years and 3 months from completion of the work and has the potential to be structurally unsound and cause collapse

# 10.00 INTERNAL FIXING

## 10.01 Gaps associated with internal fixing

Within the first 12 months after completion of the works and unless documented otherwise, gaps between mouldings or between mouldings and other fixtures, at mitre or butt joints, or at junctions with a wall or other surfaces, are defects if they exceed 1 mm in width and are visible from a normal viewing position.

## 10.02 Joints in fixing of internal mouldings

Within the first 12 months after completion of the works and unless documented otherwise, the faces of architraves and skirtings are defective if they are not aligned and flush at mitres and butt joints and the misalignment can be seen from a normal viewing position.

## 10.03 Architrave quirks

Within the first 12 months after completion of the works and unless documented otherwise the width of the quirk (setback from the edge) of each length of an architrave is defective if it is not consistent and where the irregularity can be seen from a normal viewing position.

## 10.04 Cabinet doors and door fronts

Within the first 12 months after completion of the works and unless otherwise specified, cabinet door and drawer fronts are defective if they are not

aligned, or do not have consistent gaps between doors and between drawers.

## 10.05 Natural materials

Materials such as timber, granite and marble are natural products that may have blemishes and variations in pattern and colour that are natural characteristics of the material. Stone materials are often brittle and may be easily cracked. Polished stone surfaces can be porous and subject to staining.

## 10.06 Natural stone surfaces

Within the first 12 months after completion of the works any cracking, displacement, pitting or similar blemishes in natural stone, marble or similar materials are defects if they are caused by the contractor and can be seen from a normal viewing position.

## 10.07 Replacing defective work of natural stone or similar materials

Within the first 12 months after completion of the work replacement stone or similar material is defective if the replacement material does not match the adjacent areas. If matching of stone is not possible, the whole area of stone shall be replaced

## 10.08 Joints in timber, stone and laminated bench tops

Within the first 12 months after completion of the work bench tops of timber, laminate, natural stone or similar

materials, are defective, if they have joints that are not uniform, close-fitted, aligned and in the same plane. These requirements also apply to vertical surfaces of similar material and finish. Joints are defective if they are not sealed or flush-filled with a suitable flexible sealant of matching colour.

### 10.09 Sealing around benches and items installed in benches

Within the first 12 months after completion of the work and where required, junctions between bench tops and adjoining surfaces are defective if they are not sealed with an agreed or suitable flexible sealant of matching colour. Within the first 12 months after completion of the work, sealing around items such as sinks, hand basins etc., is defective if the joint leaks, or if it is not carried out in accordance with the manufacturer's installation instructions.

# 11.00 FLOOR AND WALL TILING

## 11.01 Floor and wall tiling

Unless documented otherwise, tiling work and materials must comply with *AS 3958.1: Ceramic tiles - Guide to the installation of ceramic tiles*, *AS 3958.2: Ceramic tiles - Guide to the selection of a ceramic tiling system* and the manufacturer's installation instructions for the materials selected.

In renovation, alteration or repair work where new tiles are to be used to match existing tiles, it may be impossible to match the new to existing work. The use of a tile that is slightly different in colour, size, texture etc. is not a defect.

Where non-matching tiles have to be used, a joint location such as the aluminium channel of a shower screen, a separating doorway, an intersecting wall, a change in wall direction or similar should be selected to separate the different tiles.

## 11.02 Floor and wall tiling where the contractor supplies the tiles

Where the supply and laying of tiles is by the contractor as part of the building contract, the failure of the tiles, substrate, adhesive or grout is a defect.

Tiles supplied by the contractor are defective if they do not comply with *AS ISO 13006 Ceramic tiles - Definitions, classification, characteristics and markings* and *AS 4459 Methods for sampling and testing ceramic tiles*.

Tiles supplied by the contractor are defective if they are not fit for their intended purpose ( eg. wall tiles must not be installed on the floor etc.)

Tiles used in wet areas are defective if they exhibit reverse water staining.

## 11.03 Floor and wall tiling where the owner supplies the tiles for laying by contractor

Faulty installation of tiles is defective if caused by the contractor's workmanship.

Any fault in the tiles is the responsibility of the owner - except where faults in the tiles should have been apparent to the contractor at the time of laying.

## 11.04 Cracked, pitted, chipped, scratched, loose or drummy tiles

Tiling is defective if more than 5% of the tiles become loose or drummy.

Within 12 months of completion of the work tiles are defective if they are cracked, pitted, chipped, scratched, or loose unless such cracking, pitting, chipping or scratching has been caused by actions or inactions of the owner or others outside of the contractor's control.

## 11.05 Grout

Within 12 months of completion of the work:

- Grouting is defective if it is not installed to the requirements of AS

*3958.1 Ceramic tiles – Guide to the installation of ceramic tiles.*

- Grout lines are defective if they are not, as far as practicable, of consistent width.
- Finished grout is defective if it is not uniform in colour and is not smooth, without voids, pinholes or low spots and finished to the cushion on cushion edged tiles and flush with square edge tiles, except for tooling in accordance with *AS 3958.1 – Ceramic tiles – Guide to the installation of ceramic tiles.*
- Grout is defective if it becomes loose or dislodged.

## 11.06 Flexible sealants to junctions

Within 12 months of completion of the works, flexible or waterproof sealants to junctions are defective if they are not installed when required by the *Building Code of Australia* and *AS 3958.1 Ceramic tiles – Guide to the installation of ceramic tiles*, or in accordance with the requirements of the manufacturer.

## 11.07 Uneven tiling

Within 12 months of completion of the works, except where tiles have distortions inherent in the manufacture, tiling is defective if it has joints that are not uniform, of even width, aligned or in the same plane. Large tiles could present problems when required to fall and drain to a floor outlet and may need to be cut to achieve required falls.

Within the first 12 months after completion of the works, tiling is defective if, when measured with a straightedge, the finished surface is not flat or true within a tolerance of plus or minus 4 mm in 2 m from the required plane.

Within the first 12 months, lippage between two adjacent tiles is defective if it exceeds 2 mm and for tiles where the surface has been ground flat, e.g. polished tiles; tiles are defective if the lippage exceeds 1.5mm, and for joint widths of 3 mm or less, 1 mm.

## 11.08 Control joints

Floor tiling is defective if it has not been installed with movement or control joints as required by *AS 3958* including at the following locations:

- Joints located above movement or control joints in the substrate,
- Joints that separate the tiled elements from fixed elements such as column and walls,
- Intermediate joints that sub-divide large tiled areas into smaller sections:
  - In internal floors not subject to sunlight where any dimension of the floor exceeds 9 m and should be evenly spaced at 4.5 m.
  - In internal floors subjected to sunlight where any dimension exceeds 6 m and should be evenly spaced at 4.5 m centres.
  - In external floors where any dimension exceeds 4.5 m and should be evenly spaced at 4.5 m centres.

# 12.00 PAINTING

## 12.01 Standard of painting

Coatings used are to be suitable for the relevant conditions and relevant wear and tear. Unless documented otherwise, within the first 12 months after completion of the work, painting is defective if it does not comply with the manufacturer's installation instructions or *AS/NZS 2311 - Guide to the painting of buildings*.

## 12.02 Surface finish of paintwork

Within the first 12 months after completion of the work, paintwork is defective if application defects or blemishes such as paint runs, paint sags, wrinkling, dust, bare or starved painted areas, colour variations, surface cracks, irregular and coarse brush marks, sanding marks, blistering, uniformity of gloss level and other irregularities are visible in the surface from a normal viewing position.

Within the first 12 months after completion of the work, excessive over-painting of fittings, trims, skirtings, architraves, glazing and other finished edges is a defect.

## 12.03 Nail and screw fixings

Within the first 12 months after completion of the work, fixings or unfilled depressions caused by fixings are defects in painted or stained surfaces if they can be seen from a normal viewing position.

## 12.04 Mechanical damage and natural defects in surfaces

Within the first 12 months after completion of the work, holes and any other unfilled depressions in painted or stained timber such as surface defects caused by mechanical damage, natural characteristics such as gum pockets or surface splits are defects if they can be seen from a normal viewing position.

## 12.05 Paint durability

With the exception of exterior semi-transparent and exterior clear finishes and unless documented otherwise, coatings are defective if a large proportion (in excess of 10%) of the painted area fails by lifting, blistering, flaking, or irreversibly fading or allows water penetration into the building.

# 13.00 WET AREAS, DECKS AND BALCONIES

## 13.01 Wet areas

Water proofing to internal wet areas is defective if not installed in accordance with the requirements of the *Building Code of Australia* and *Australian Standard AS 3740 including Amendment 1 Waterproofing of domestic wet areas*.

Internal wet areas are not defective if the leak or poor performance is caused by actions or inactions of the owner or other persons outside of the control of the contractor.

## 13.02 Flashings generally

Flashings are defective if they are not installed in accordance with the requirements of the *Building Code of Australia*.

## 13.03 Shower recess and components

Any shower component that allows a fully enclosed shower recess to leak during normal usage is defective.

Within the first 12 months after completion of the works, shower recess and components are defective if they crack or don't perform as intended and cracks in shower bases, screens and glass are defects if they are visible from normal viewing position.

## 13.04 Leaks in water proof decks and balconies

Waterproof decks and balconies are not defective if the leak or poor performance is caused by actions or inactions of the owner or other persons outside of the control of the contractor.

Water proof decks and balconies that leak are defective.

Water proof decks and balconies are defective if the water proofing system is not installed in accordance with *Australian Standard AS 4654 Part 1 Waterproofing systems for external above-ground use - Materials* and *Part 2 Waterproofing systems for external above-ground use - Design and Installation* and the manufacturer's installation instructions.

## 13.05 Water proof decks and balconies substrate

Water proof decks and balconies are defective if they are constructed with substrate of non-external quality water resistant materials such as particleboard referred to in *AS 1860 - Installation of particleboard flooring*, or other materials that are not warranted as suitable by the manufacturer for that purpose, whether or not they fail.

### 13.06 Decks and balcony freeboard outside windows and doors

Unless documented otherwise, water proof decks and balconies are defective if they do not have a membrane and drainage system sufficient to withstand wind-driven water to the extent that it is anticipated by the *Building Code of Australia and AS 4654* surging from the deck or balcony and penetrating the building.

### 13.07 Leaking and ponding of water proof decks and balconies

Water proof decks and balconies are defective if they leak, pond water and/or do not drain to the outer edge, or storm water outlet.

### 13.08 Calcification and efflorescence associated with decks and balconies

Within the first 12 months after completion of the work, calcification or efflorescence caused by water coming from a deck or balcony that occurs on walls below or beside the deck or balcony, or that appears in the mortar joints of the deck or balcony tiling, is a defect.



# 14.00 FLOORS

## 14.01 Timber flooring

Timber flooring will shrink or swell according to its internal moisture content and the timbers species used. The internal moisture content will adjust to the surrounding atmosphere after the timber is installed and this may lead to permanent or seasonal swelling or cracking.

Care should be taken to adjust the moisture content of the timber, as far as practical, to the likely in-service conditions before installation in accordance with the manufacturer's installation instructions. Even so, some minor movement is to be expected.

Exposure to sunlight, cooling, heating or other heat generating appliances is likely to cause localised shrinkage of timber that cannot be allowed for at the time of construction. This is to be taken into consideration when determining if there is defective workmanship.

## 14.02 Timber flooring generally

Flooring, including tongue and groove strip flooring; structural plywood and particleboard sheet flooring, is defective if it is not installed according to *AS 1684 – Residential timber framed construction* and the manufacturer's installation instructions.

## 14.03 Gaps in exposed timber flooring

Except where affected by exposure to sunlight, cooling, heating or other heat generating appliances, flooring is defective if it has a gap of more than 2 mm between adjacent boards that extend for more than 1 m. Flooring is defective if it has gaps of more than 5 mm in total of three gaps between four consecutive boards.

## 14.04 Joint swelling in timber, plywood and particleboard flooring

Joints in plywood and particleboard floors are defective if they can be detected through normal floor coverings.

Swelling in tongue and groove timber flooring is a defect if it causes buckling of the boards or movement of perimeter restraints such as walls.

## 14.05 Nail popping in timber, plywood and particleboard floors

Within the first 12 months after completion of the work nail heads that can be detected through floor coverings or nail popping that is clearly visible in exposed flooring are defects.

Nail heads or popped screws are defects for 6 years and 3 months from completion of the work if they compromise the health and safety of occupants or visitors to the residence.

## 14.06 Squeaking floors

Within the first 12 months after completion of the works, floors that squeak excessively in trafficable areas are defective.

## 14.07 Springy floors

Floors that bounce in a way that can be detected by a person walking normally across the area are defective unless the substructure has been constructed in accordance with the *Building Code of Australia*, and:

- *Timber sub-frame - AS 1684 - Residential timber-framed construction* or,
- *Steel sub-frame - AS 4100 - Steel structures, AS/NZS 4600 - Cold-formed steel structures, NASH - Residential and low-rise steel framing - Part 1 Design criteria.*

## 14.08 Timber floor levels

Within the first 12 months after completion of the work, floor levels within a room or area are defective if they differ by more than 10 mm in any room or area, or more than 4 mm in any 2 m length. The overall deviation of floor level to entire building footprint shall not exceed 20 mm.

Refer to section 2.07 of this Guide where the new floor is to join an existing floor.

## 14.09 Splitting of timber decking

Within the first 12 months after completion of the work, splits in timber decking that extend to the end or side edge of the timber are defects if they are due to the fixing method or workmanship of the builder (e.g. fixings too close to the ends of boards).

# 15.00 POOLS AND SPAS

## 15.01 Concrete pools and spas

Concrete pools and spas are defective if they do not comply with *AS 2783 1992 including Amendments 1 & 2 - Use of reinforced concrete for small swimming pools*.

## 15.02 Premoulded fibre-reinforced plastic pools and spas

Premoulded pools and spas are defective if they are not installed in accordance with *AS/NZS 1839 1994 - Swimming pools - Premoulded fibre-reinforced plastics - Installation*.

## 15.03 Variations from documented dimensions in concrete pools

Departures from the documented set out for concrete pools are defects if they exceed  $L/100$ , where L is the documented dimension, or 5 mm, whichever is the greater.

## 15.04 Variations from documented datum in concrete pools and spas

Set outs that depart from documented RL or FFL by more than 40 mm, are defective.

# 16.00 TERMITE MANAGEMENT SYSTEMS

## 16.01 Termites

Termites are a widespread problem in all areas of Australia and it is the owner’s responsibility to regularly inspect the property, including sub-floor inspections, to detect evidence of termite activity.

Termites can circumvent properly executed termite management systems by, for example, building tunnels around barriers. Tunnels can be identified through regular inspections and, if found, the termite nest should be located and destroyed by suitably qualified pest controllers.

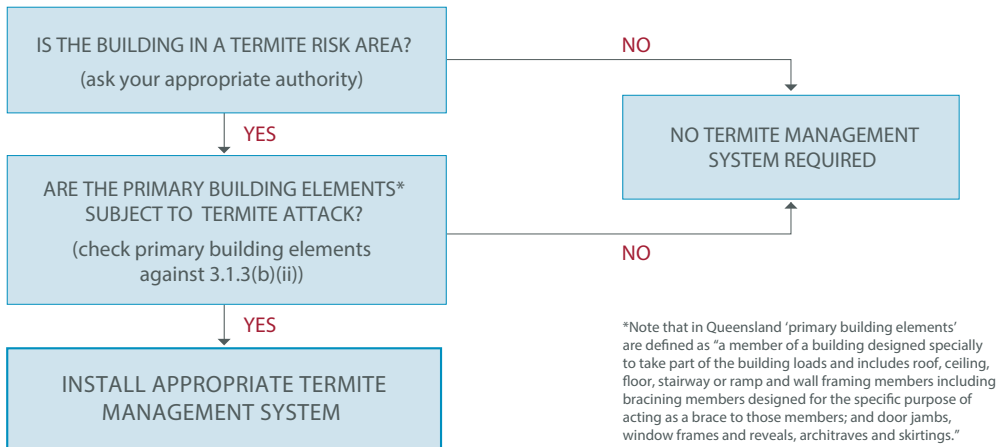
Termite infestations caused by the building owner’s failure to undertake appropriate inspection and maintenance of termite management systems is not a defect.

## 16.02 Termite damage

Building work is defective if a termite management system is required in accordance with the Building Code of Australia. Refer Figure 16.02 in this Guide which reproduces Figure 3.1.3.1 from the BCA, and has not been installed in accordance with Australian Standard AS 3660.1 2000 Termite management – New building work.

**Figure 16.02**

### **FLOW CHART FOR IDENTIFYING IF A TERMITE MANAGEMENT SYSTEM IS REQUIRED**



Note: Figure 16.02 above reproduces Figure 3.1.3.1 from the BCA and clause numbers mentioned within the figure refer to clause numbers in the *Building Code of Australia Volume 2*.

### 16.03 Inspection zone

Where a termite management system is required, most, though not all; systems rely on a 75 mm visual perimeter inspection zone (Refer Figures 16.03 A, B, C for examples of inspection zone requirements) as part of the termite management system. This visual inspection zone enables termite activity to be identified when termites and/or their tunnels are forced into view in order for the termites to get around the various barrier systems.

Where an inspection zone is required, work is defective if the inspection zone has not been provided in accordance with the Building Code of Australia, Australian Standard AS 3660.1 Termite management – New work, or the manufacturer’s installation instructions.

Work is not defective where the inspection zones have been breached or obstructed from view by actions of the owner or persons outside of the control of the contractor.

**Figure 16.03**

#### **A. 75 MM INSPECTION ZONE WITH EXPOSED SLAB EDGE**

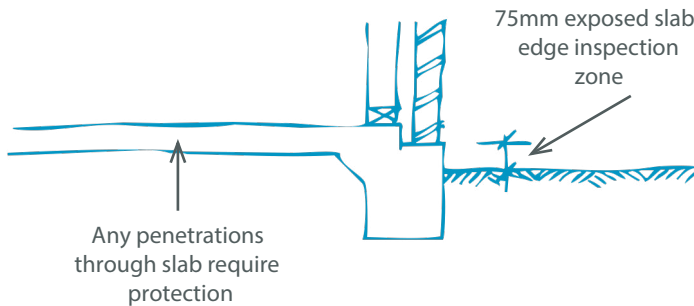


Figure 16.03 cont.

**B. 75 MM INSPECTION ZONE WITH METAL CAPPING**

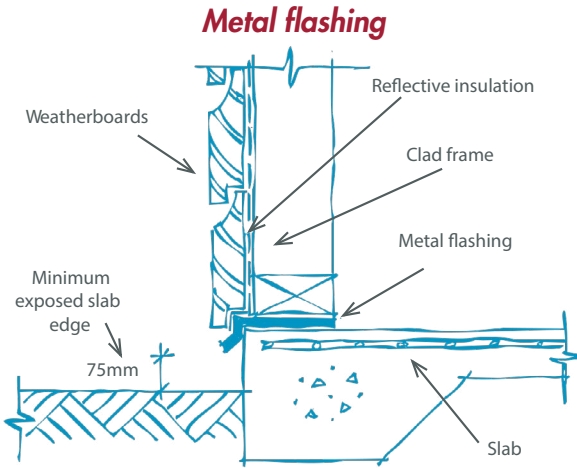
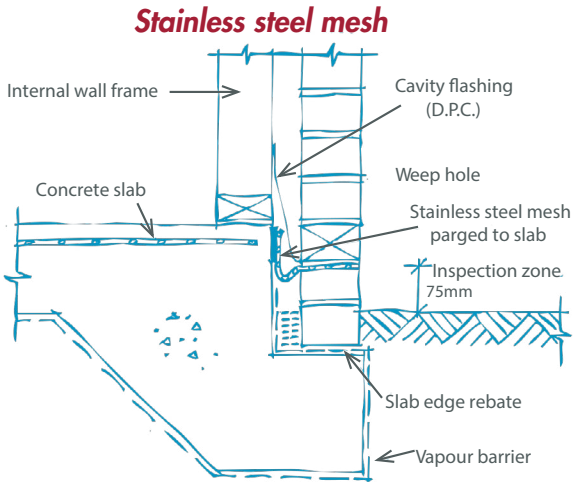


Figure 16.03 cont.

**C. 75 MM INSPECTION ZONE WITH STAINLESS STEEL MESH BARRIER**



# 17.00 GENERAL

## 17.01 Appliances and fittings

The owner is responsible for organising warranty service for faults in appliances and fittings supplied as part of the building contract where the contractor has provided the warranty documents to the owner. Service outside the warranty period is the responsibility of the owner.

Damage to appliances and fittings supplied as part of the building contract are defects if it is due to the contractor's workmanship.

## 17.02 Condensation

Condensation is a common problem in buildings, particularly in bathrooms and laundries, and can occur on windows, under unlined roofs or elsewhere.

Where the requirements of the *Building Code of Australia* have been complied with, the responsibility for controlling condensation by maintaining adequate ventilation through the installation and use of exhaust fans or other means is the responsibility of the owner.

Condensation is a defect if the contractor has not complied with the relevant clauses of the *Building Code of Australia*.

## 17.03 Glazing

Within the first 12 months after completion of the work, scratches, fractures, chips or other blemishes on glazing and mirrors are defects if they are caused by the contractor and can be seen from a normal viewing position.

Minor scratches, fractures, chips or other blemishes that are not more than 10 mm long and where there are not more than three blemishes per pane, are not defects.

## 17.04 Lyctus borer

Within the first 12 months after completion of the work, timber is defective if it shows evidence of lyctus borer attack.

## 17.05 Water leaks

Roofs, gutters, flashings, skylights, window and door frame joints or seals are defective if they leak under weather conditions anticipated by the *Building Code of Australia*, providing they have been properly maintained by the owner.

## Contact us

For further information contact us on 139 333 or visit [qbcc.qld.gov.au](http://qbcc.qld.gov.au).



**Build better.**

299 Montague Road,  
West End Qld 4101

GPO Box 5099,  
Brisbane Qld 4001

139 333

[qbcc.qld.gov.au](http://qbcc.qld.gov.au)