

De Bruijn Graph assembly

Ben Langmead



JOHNS HOPKINS

WHITING SCHOOL
of ENGINEERING

You are free to use these slides. If you do, please sign the guestbook (www.langmead-lab.org/teaching-materials), or email me (ben.langmead@gmail.com) and tell me briefly how you're using them. For original Keynote files, email me.

Real-world assembly methods

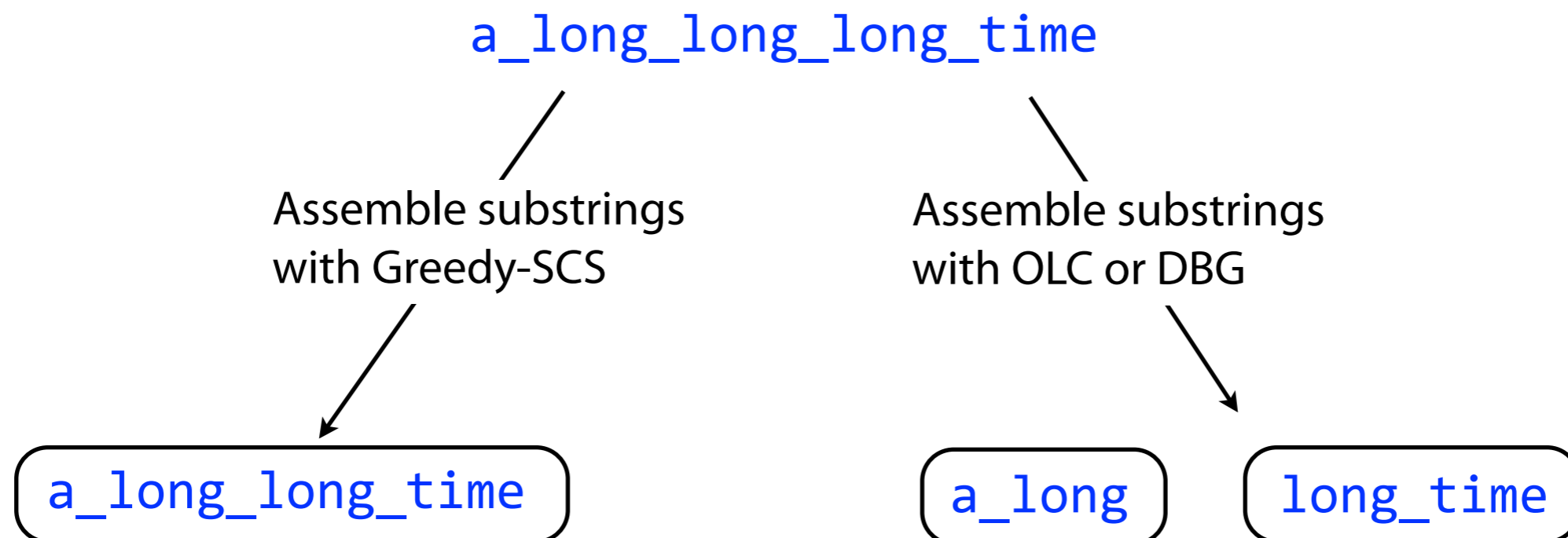
OLC: Overlap-Layout-Consensus assembly

DBG: De Bruijn graph assembly

Both handle unresolvable repeats by essentially *leaving them out*

Unresolvable repeats break the assembly into fragments

Fragments are *contigs* (short for *contiguous*)



De Bruijn graph assembly

A formulation conceptually similar to overlapping/SCS, but has some potentially helpful properties not shared by SCS.

k-mer

“k-mer” is a substring of length k

S: GGCGATTCATCG

mer: from Greek meaning “part”

A 4-mer of S: ATTC

All 3-mers of S:

GGC
GCG
CGA
GAT
ATT
TTC
TCA
CAT
ATC
TCG

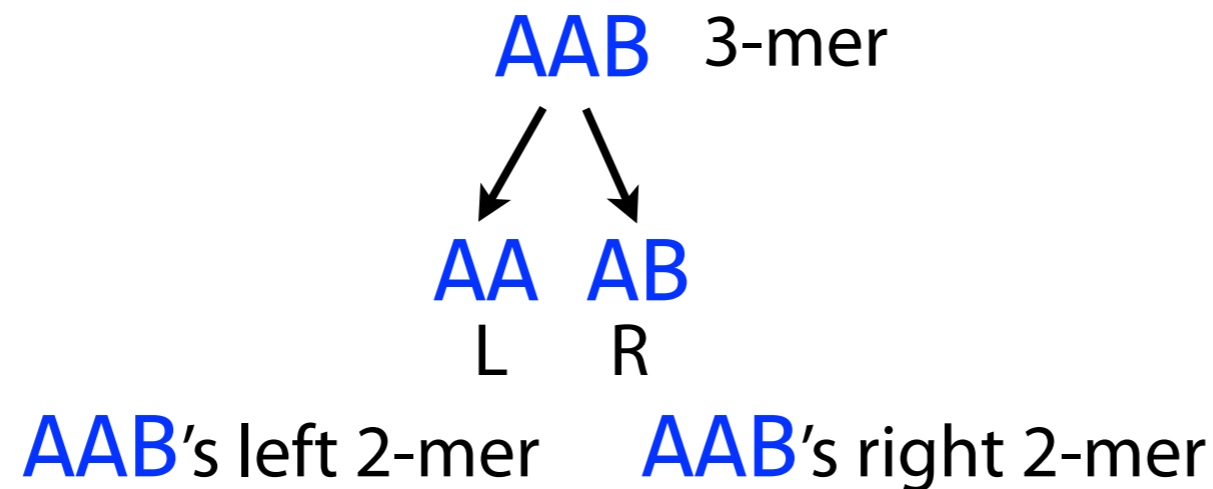
I’ll use “k-1-mer” to refer to a substring of length $k - 1$

De Bruijn graph

As usual, we start with a collection of reads, which are substrings of the reference genome.

AAA, AAB, ABB, BBB, BBA

AAB is a k -mer ($k = 3$). **AA** is its *left* $k-1$ -mer, and **AB** is its right $k-1$ -mer.



De Bruijn graph

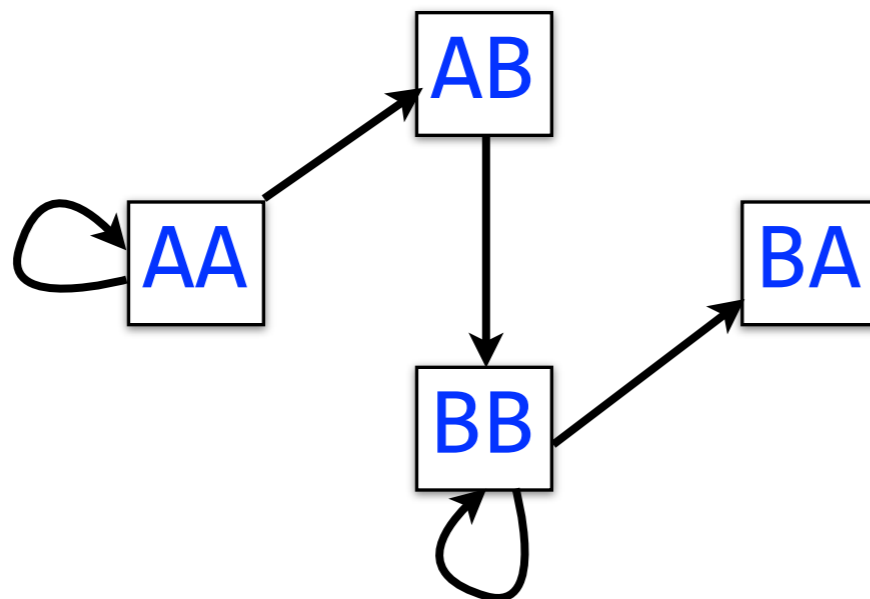
Take each length-3 input string and split it into two overlapping substrings of length 2. Call these the *left* and *right 2-mers*.

AAABBBA

take all 3-mers: AAA, AAB, ABB, BBB, BBA

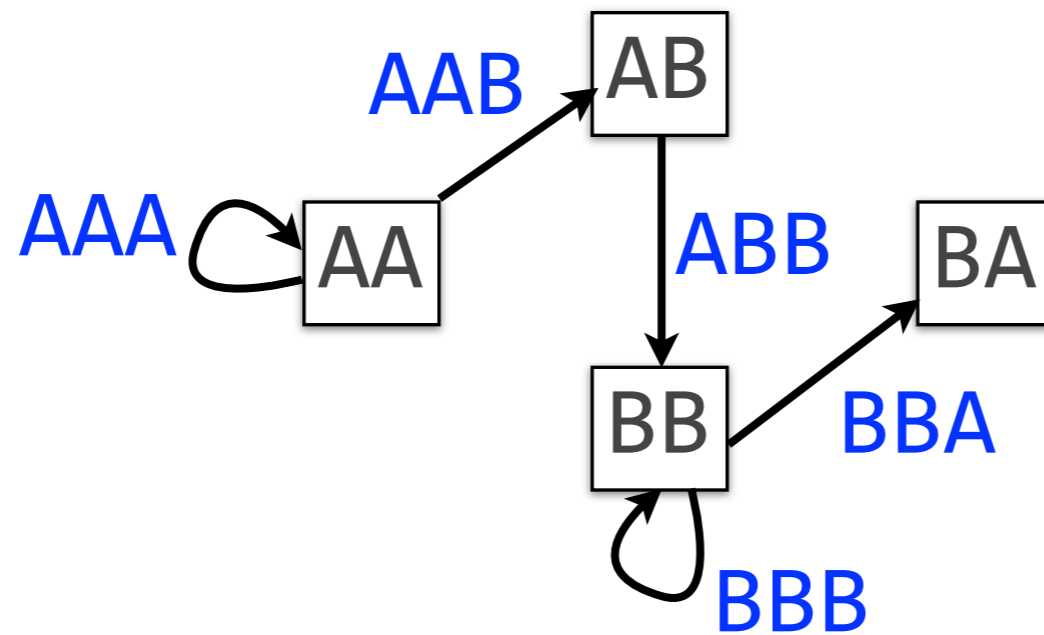
form L/R 2-mers: AA, AA, AA, AB, AB, BB, BB, BB, BB, BA
L R L R L R L R L R

Let 2-mers be nodes in a new graph. Draw a directed edge from each left 2-mer to corresponding right 2-mer:



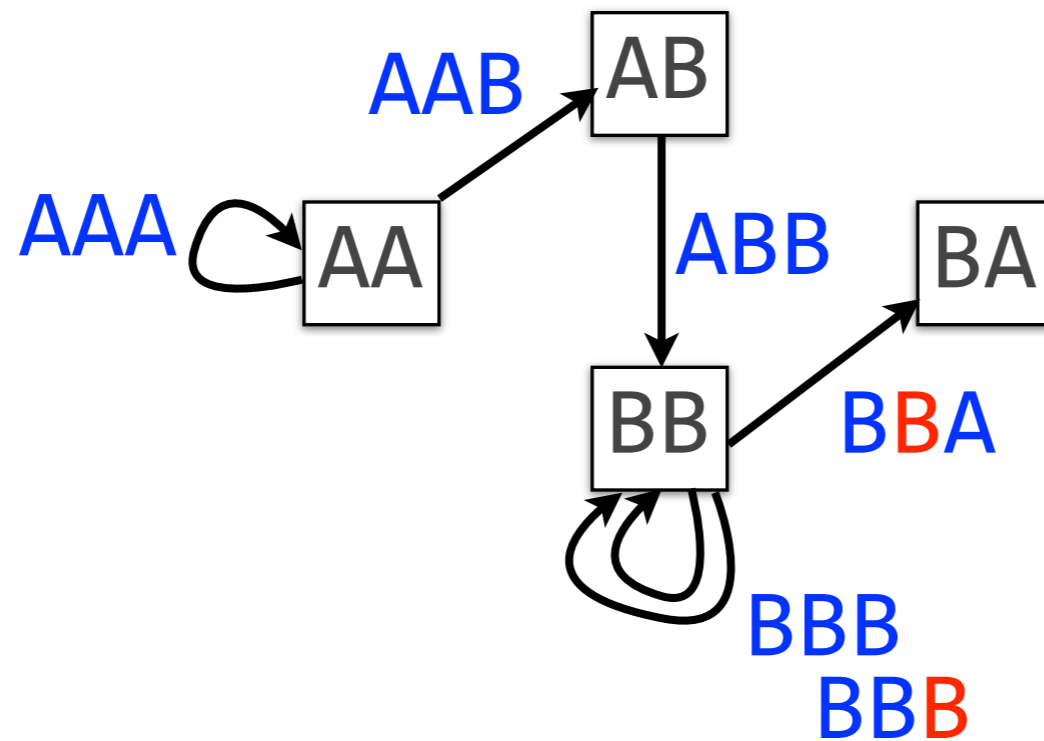
Each *edge* in this graph corresponds to a length-3 input string

De Bruijn graph



An edge corresponds to an overlap (of length $k-2$) between two $k-1$ mers. More precisely, it corresponds to a k -mer from the input.

De Bruijn graph



If we add one more B to our input string: **AAABBBBA**, and rebuild the De Bruijn graph accordingly, we get a *multiedge*.

Directed multigraph

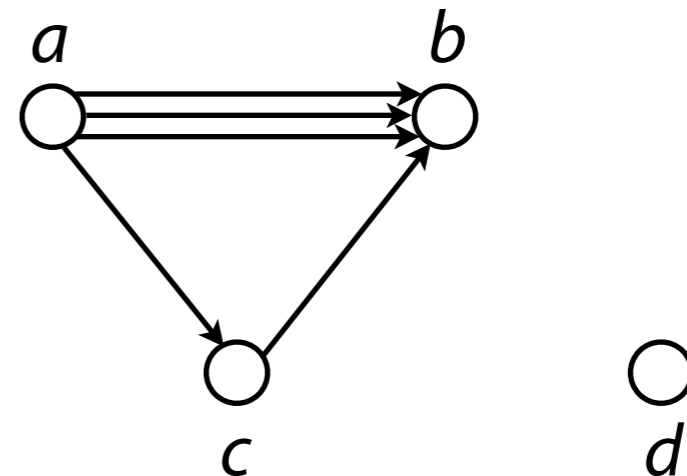
Directed **multigraph** $G(V, E)$ consists of set of *vertices*, V and **multiset** of *directed edges*, E

Otherwise, like a directed graph

Node's *indegree* = # incoming edges

Node's *outdegree* = # outgoing edges

De Bruijn graph is a directed multigraph



$$V = \{ a, b, c, d \}$$

$$E = \{ (a, b), (a, b), (a, b), (a, c), (c, b) \}$$

└──────── Repeated ─────────┘

Eulerian walk definitions and statements

Node is *balanced* if indegree equals outdegree

Node is *semi-balanced* if indegree differs from outdegree by 1

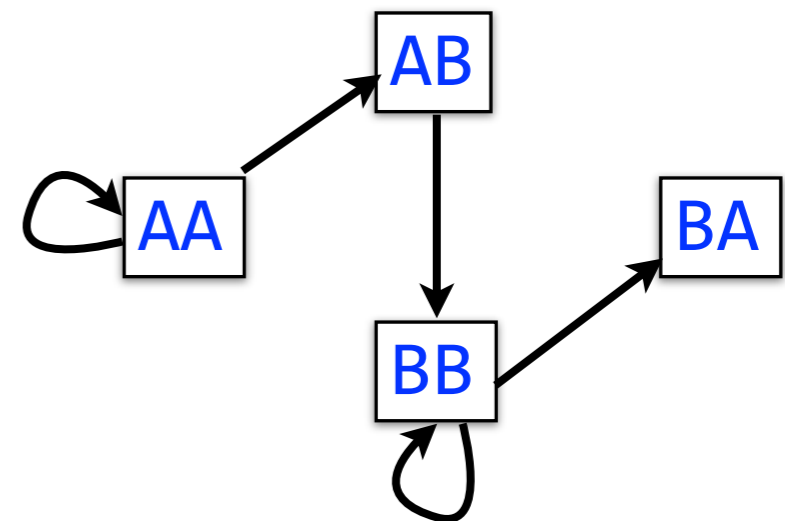
Graph is *connected* if each node can be reached by some other node

Eulerian walk visits each edge exactly once

Not all graphs have Eulerian walks. Graphs that do are *Eulerian*.
(For simplicity, we won't distinguish Eulerian from semi-Eulerian.)

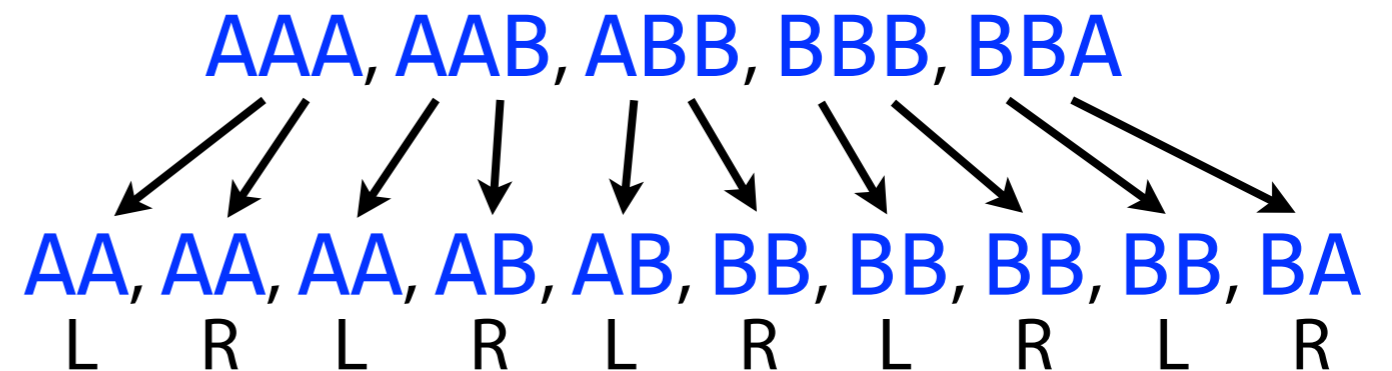
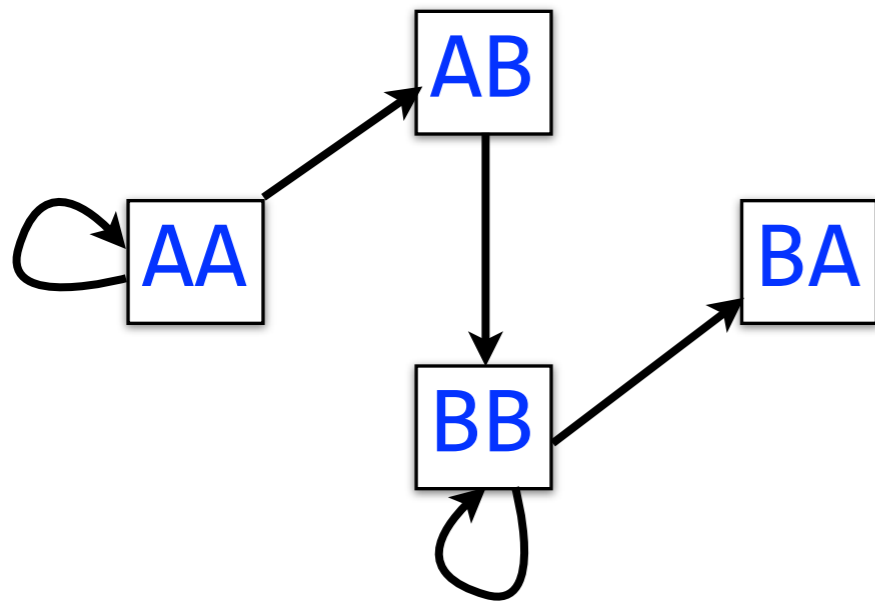
A directed, connected graph is Eulerian if and only if it has at most 2 semi-balanced nodes and all other nodes are balanced

Jones and Pevzner section 8.8



De Bruijn graph

Back to our De Bruijn graph



Is it Eulerian? Yes

Argument 1: $AA \rightarrow AA \rightarrow AB \rightarrow BB \rightarrow BB \rightarrow BA$

Argument 2: AA and BA are semi-balanced, AB and BB are balanced

De Bruijn graph

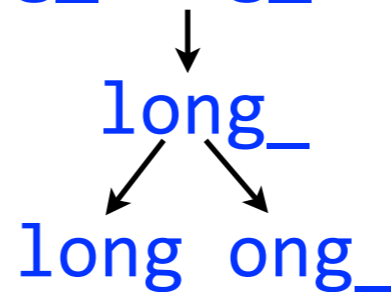
A procedure for making a De Bruijn graph for a genome

Assume *perfect sequencing* where each length- k substring is sequenced exactly once with no errors

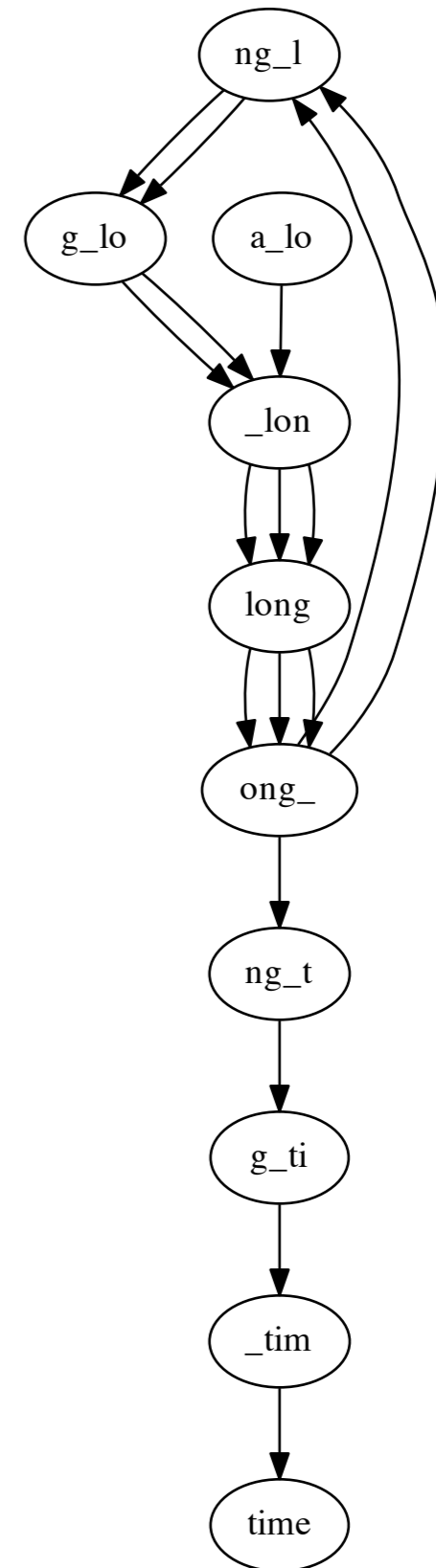
Pick a substring length k : 5

Start with an input string: **a_long_long_long_time**

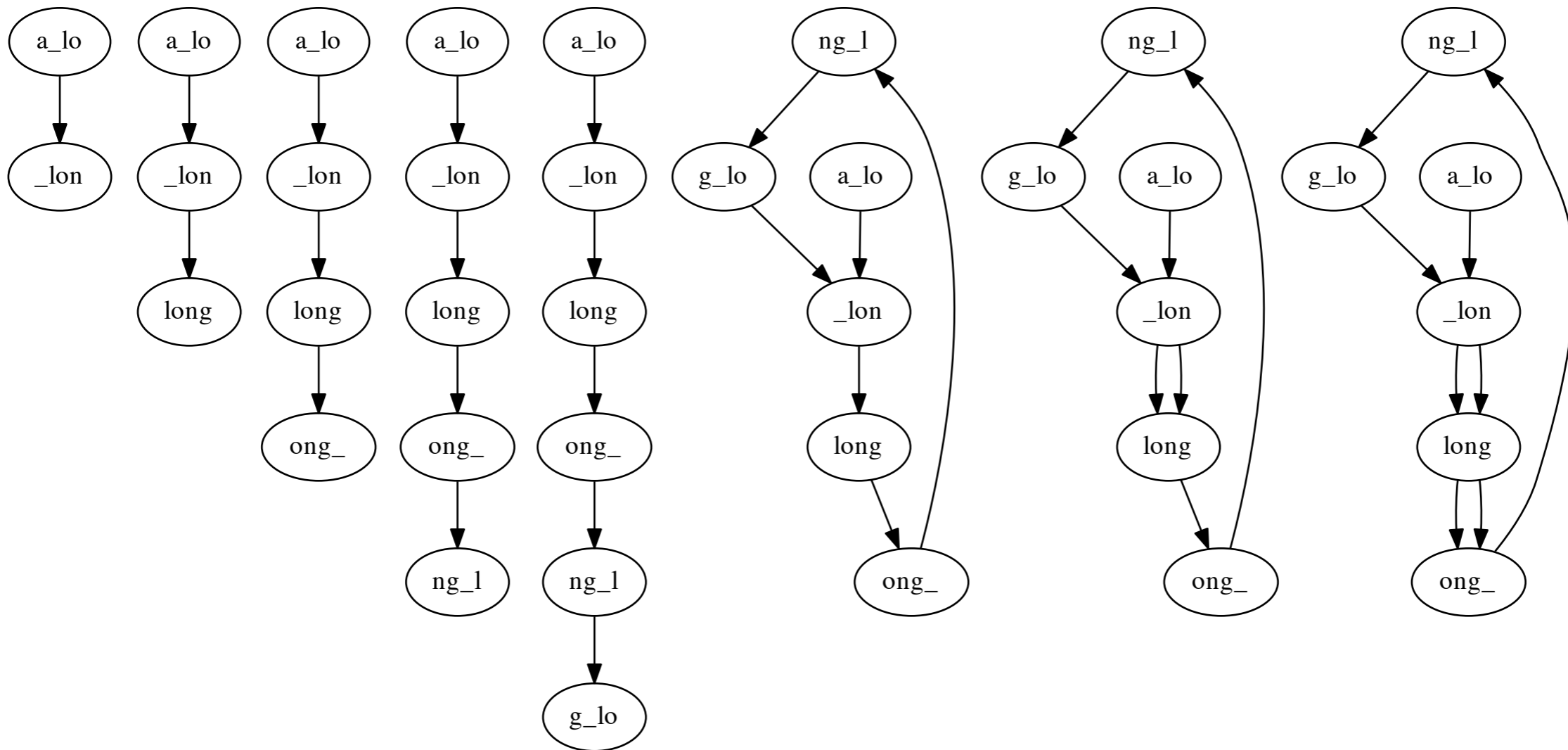
Take each k mer and split into left and right $k-1$ mers



Add $k-1$ mers as nodes to De Bruijn graph (if not already there), add edge from left $k-1$ mer to right $k-1$ mer



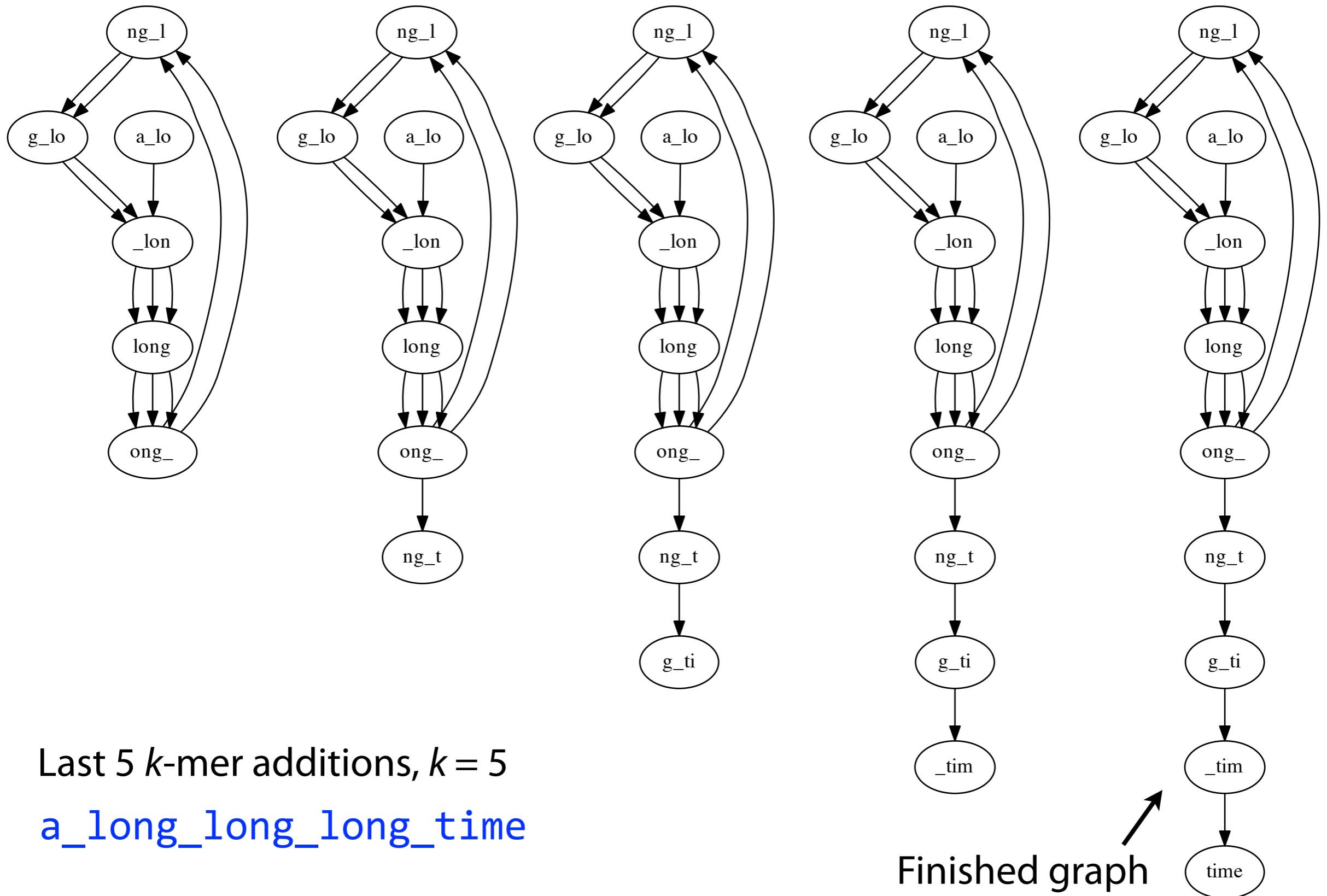
De Bruijn graph



First 8 k -mer additions, $k = 5$

`a_long_long_long_time`

De Bruijn graph



Last 5 k -mer additions, $k = 5$
`a_long_long_long_time`

Finished graph

De Bruijn graph

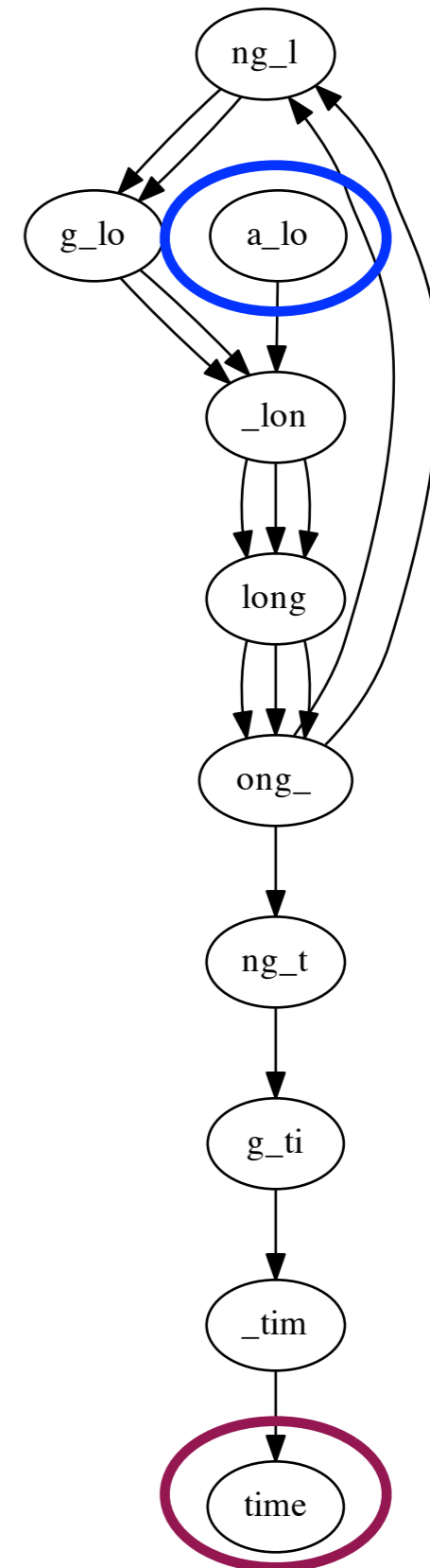
With perfect sequencing, this procedure always yields an Eulerian graph. Why?

Node for $k-1$ -mer from **left end** is semi-balanced with one more outgoing edge than incoming *

Node for $k-1$ -mer at **right end** is semi-balanced with one more incoming than outgoing *

Other nodes are balanced since # times $k-1$ -mer occurs as a left $k-1$ -mer = # times it occurs as a right $k-1$ -mer

* Unless genome is circular



De Bruijn graph implementation

```
class DeBruijnGraph:
    """ A De Bruijn multigraph built from a collection of strings.
        User supplies strings and k-mer length k. Nodes of the De
        Bruijn graph are k-1-mers and edges join a left k-1-mer to a
        right k-1-mer. """

    @staticmethod
    def chop(st, k):
        """ Chop a string up into k mers of given length """
        for i in xrange(0, len(st)-(k-1)): yield st[i:i+k]

class Node:
    """ Node in a De Bruijn graph, representing a k-1 mer """
    def __init__(self, km1mer):
        self.km1mer = km1mer

    def __hash__(self):
        return hash(self.km1mer)

def __init__(self, strIter, k):
    """ Build De Bruijn multigraph given strings and k-mer length k """
    self.G = {} # multimap from nodes to neighbors
    self.nodes = {} # maps k-1-mers to Node objects
    self.k = k
    for st in strIter:
        for kmer in self.chop(st, k):
            km1L, km1R = kmer[:-1], kmer[1:]
            nodeL, nodeR = None, None
            if km1L in self.nodes:
                nodeL = self.nodes[km1L]
            else:
                nodeL = self.nodes[km1L] = self.Node(km1L)
            if km1R in self.nodes:
                nodeR = self.nodes[km1R]
            else:
                nodeR = self.nodes[km1R] = self.Node(km1R)
            self.G.setdefault(nodeL, []).append(nodeR)
```

Chop string into k -mers

For each k -mer, find left and right $k-1$ -mers

Create corresponding nodes (if necessary) and add edge

De Bruijn graph

For Eulerian graph, Eulerian walk can be found in $O(|E|)$ time. $|E|$ is # edges.

Convert graph into one with Eulerian *cycle* (add an edge to make all nodes balanced), then use this recursive procedure

Insight: If C is a cycle in an Eulerian graph, then after removing edges of C , remaining connected components are also Eulerian

```
# Make all nodes balanced, if not already

tour = []
# Pick arbitrary node
src = g.iterkeys().next()

def __visit(n):
    while len(g[n]) > 0:
        dst = g[n].pop()
        __visit(dst)
    tour.append(n)

__visit(src)
# Reverse order, omit repeated node
tour = tour[::-1][:-1]

# Turn tour into walk, if necessary
```

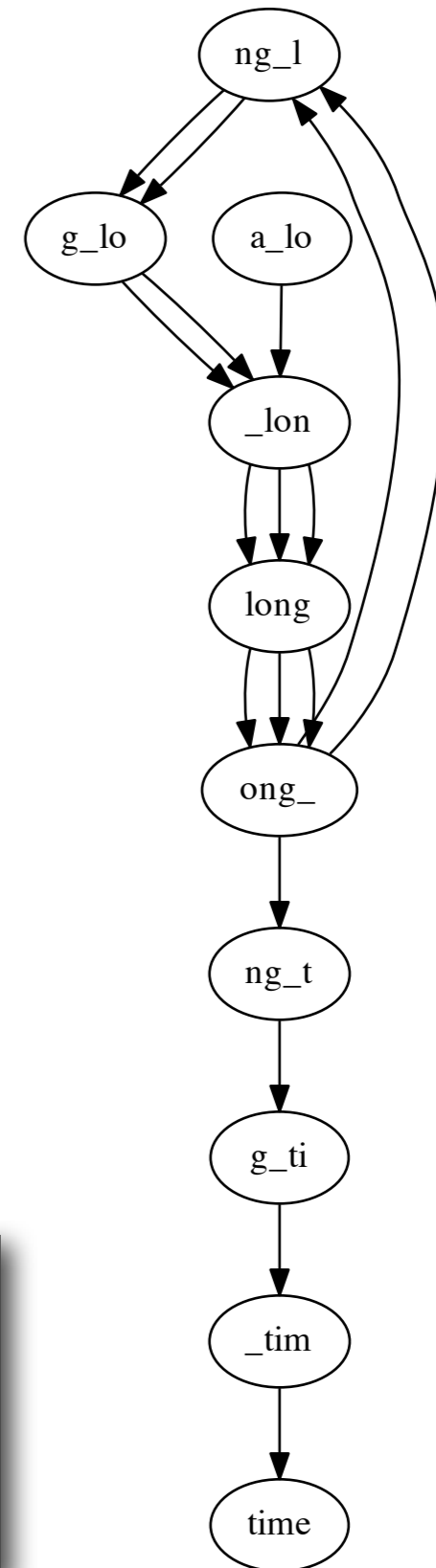
De Bruijn graph

Full illustrative De Bruijn graph and Eulerian walk:

<http://nbviewer.ipython.org/7237207>

Example where Eulerian walk gives correct answer for small k whereas Greedy-SCS could spuriously collapse repeat:

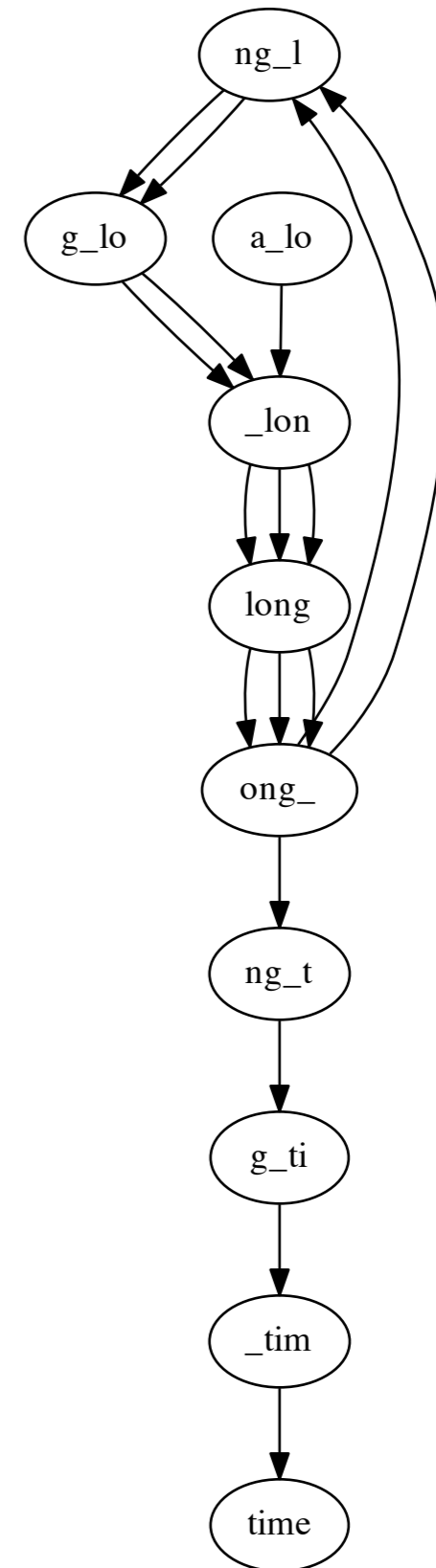
```
>>> G = DeBruijnGraph(["a_long_long_long_time"], 5)
>>> print G.eulerianWalkOrCycle()
['a_lo', '_lon', 'long', 'ong_', 'ng_l', 'g_lo',
 '_lon', 'long', 'ong_', 'ng_l', 'g_lo', '_lon',
 'long', 'ong_', 'ng_t', 'g_ti', '_tim', 'time']
```



De Bruijn graph

Assuming perfect sequencing, procedure yields graph with Eulerian walk that can be found efficiently.

We saw cases where Eulerian walk corresponds to the original superstring. Is this always the case?



De Bruijn graph

No: graph can have multiple Eulerian walks, only one of which corresponds to original superstring

Right: graph for **ZABCDABEFABY**, $k = 3$

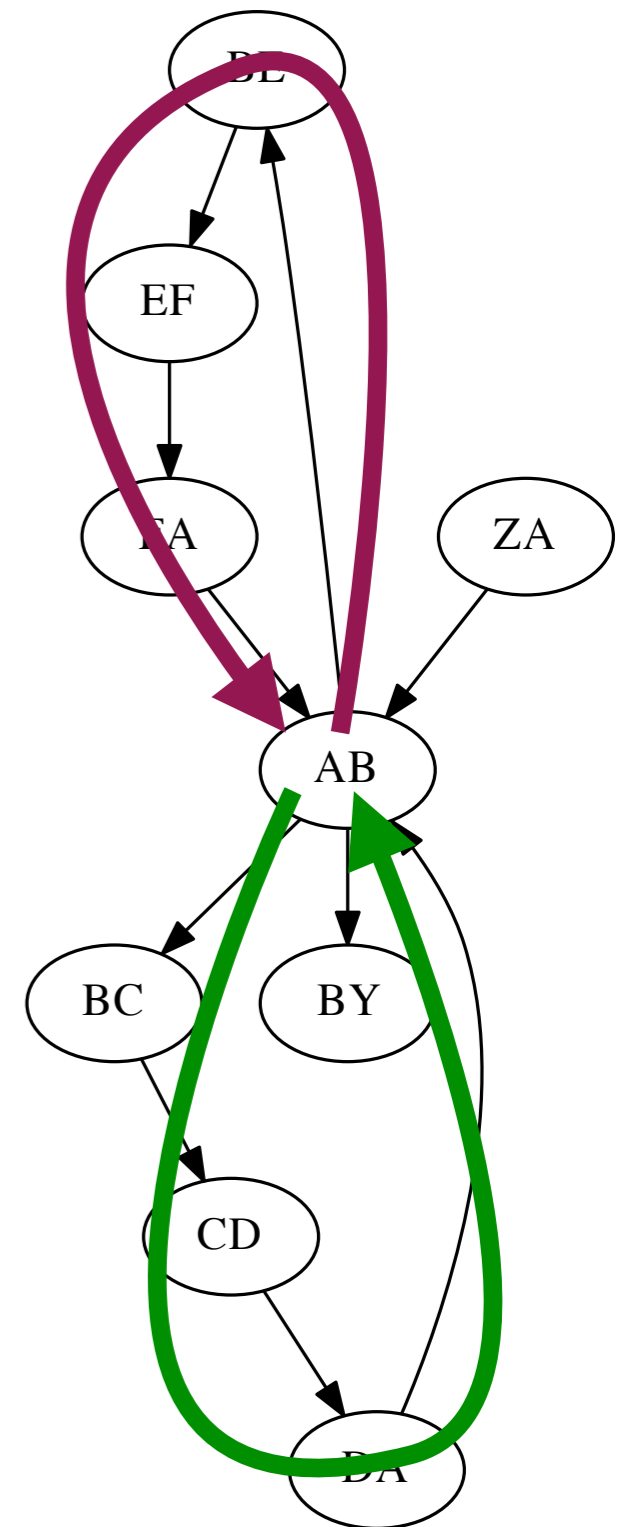
Alternative Eulerian walks:

ZA → **AB** → **BE** → **EF** → **FA** → **AB** → **BC** → **CD** → **DA** → **AB** → **BY**

ZA → **AB** → **BC** → **CD** → **DA** → **AB** → **BE** → **EF** → **FA** → **AB** → **BY**

These correspond to two edge-disjoint directed cycles joined by node **AB**

AB is a repeat: **ZABCDABEFABY**



De Bruijn graph

Case where $k = 4$ works:

```
>>> st = "to_every_thing_turn_turn_turn_there_is_a_season"
>>> G = DeBruijnGraph([st], 4)
>>> path = G.eulerianWalkOrCycle()
>>> superstring = path[0] + ''.join(map(lambda x: x[-1], path[1:]))
>>> print superstring
to_every_thing_turn_turn_turn_there_is_a_season
```

But $k = 3$ does not:

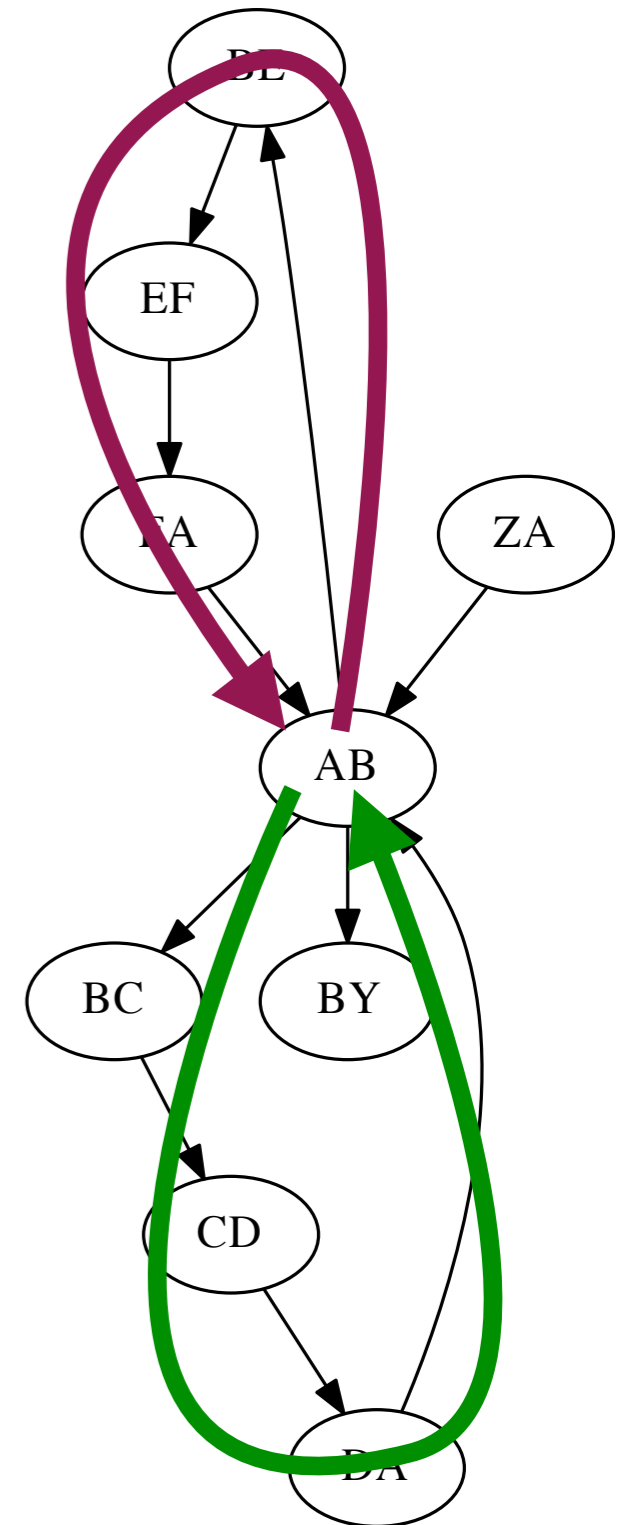
```
>>> st = "to_every_thing_turn_turn_turn_there_is_a_season"
>>> G = DeBruijnGraph([st], 3)
>>> path = G.eulerianWalkOrCycle()
>>> superstring = path[0] + ''.join(map(lambda x: x[-1], path[1:]))
>>> print superstring
to_every_turn_turn_thing_turn_there_is_a_season
```

Due to repeats that are unresolvable at $k = 3$

De Bruijn graph

This is the first sign that Eulerian walks can't solve all our problems

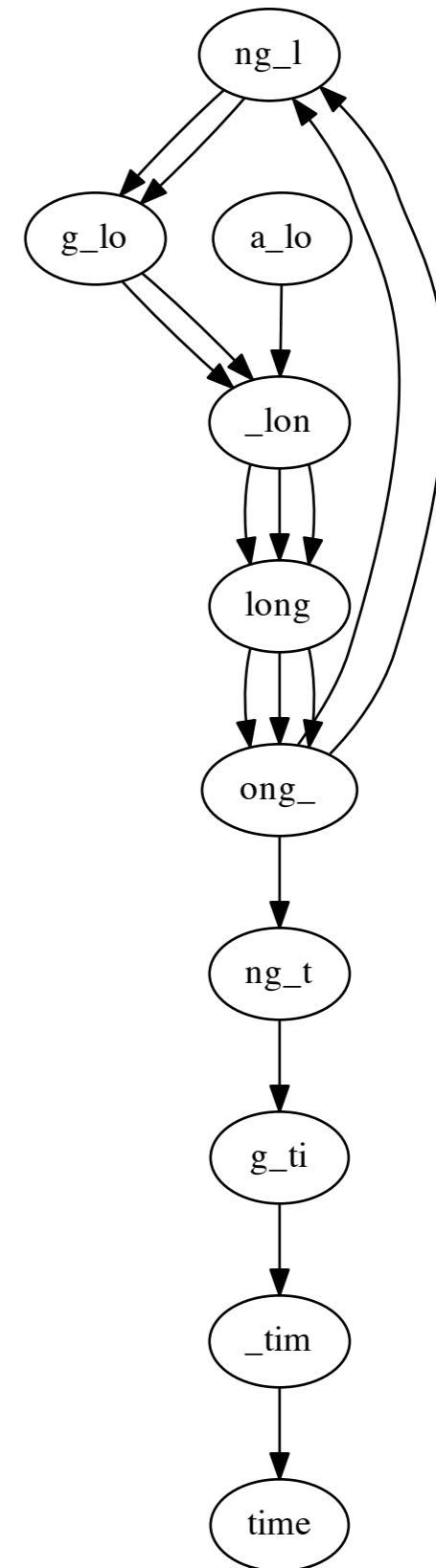
Other signs emerge when we think about how actual sequencing differs from our idealized construction



De Bruijn graph

Gaps in coverage can lead to *disconnected* graph

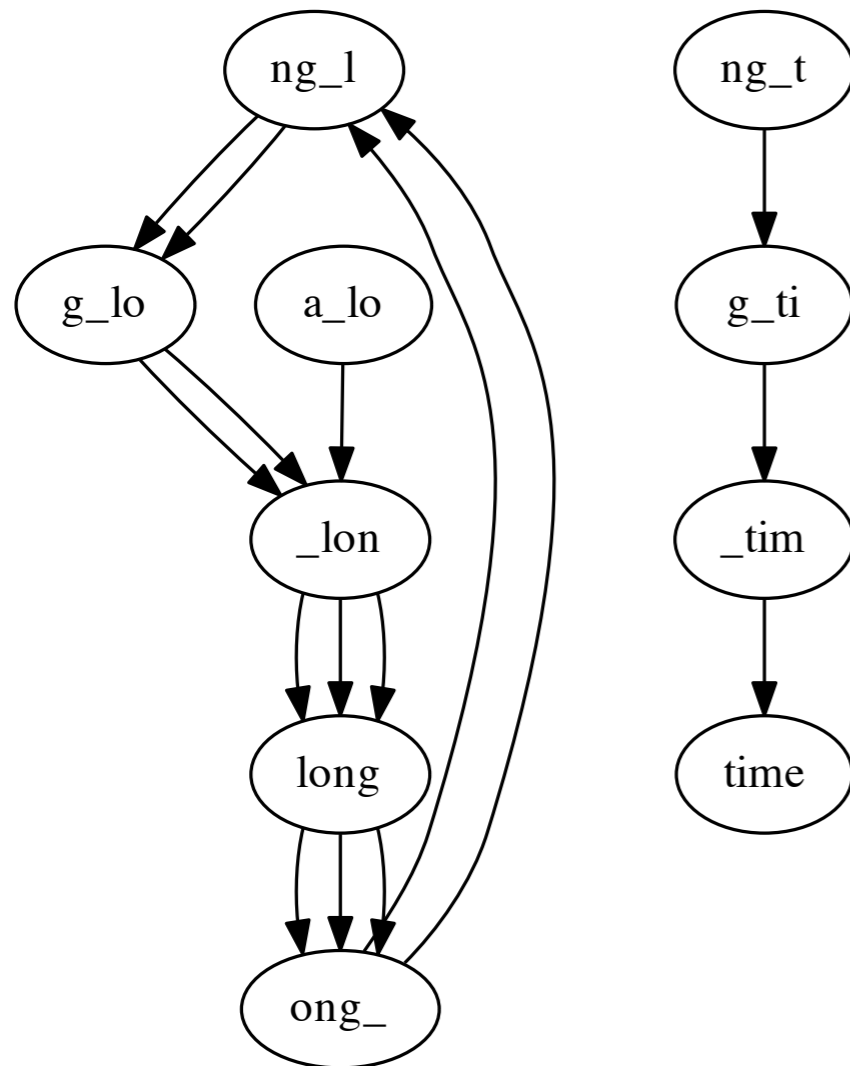
Graph for [a_long_long_long_time](#), $k = 5$:



De Bruijn graph

Gaps in coverage can lead to *disconnected* graph

Graph for [a_long_long_long_time](#), $k = 5$ but *omitting ong_t*:



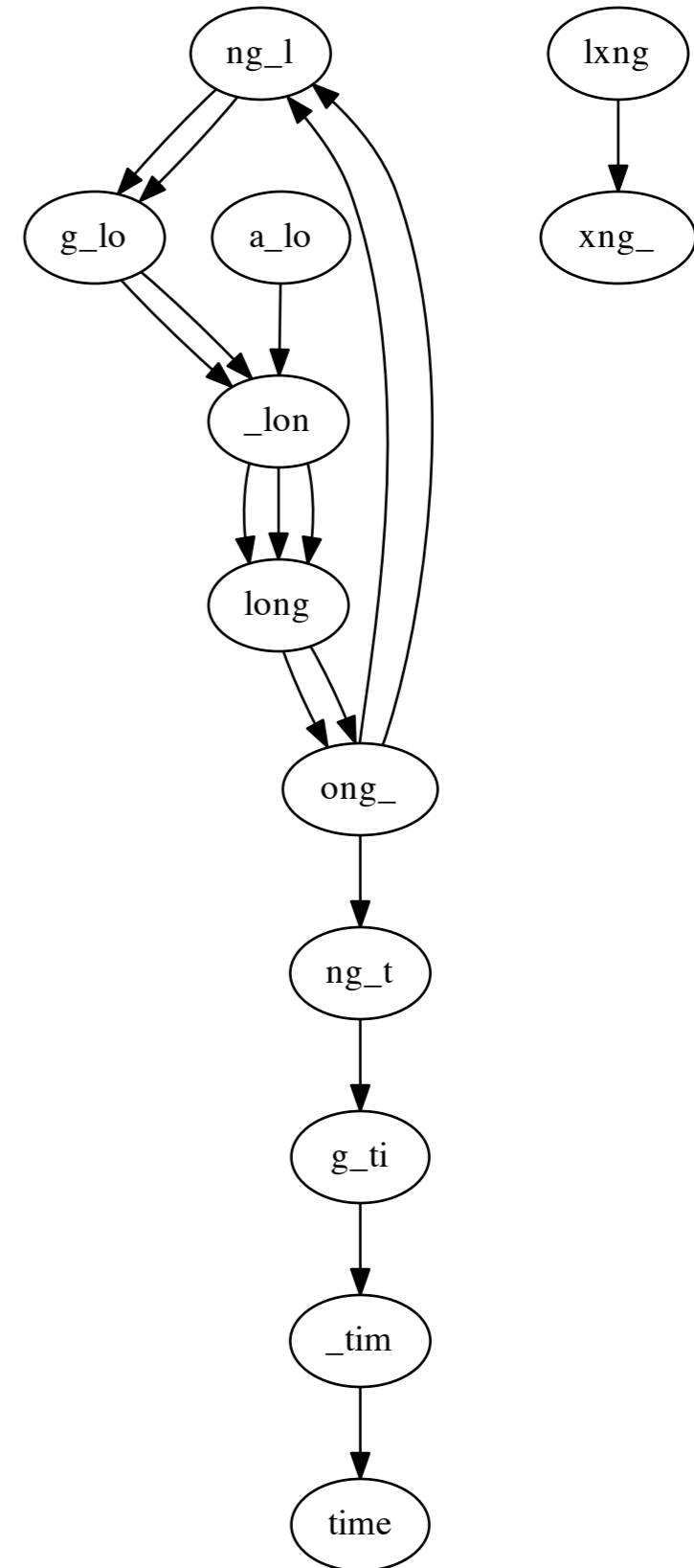
Connected components are individually Eulerian, overall graph is not

De Bruijn graph

Errors and differences between chromosomes also lead to non-Eulerian graphs

Graph for `a_long_long_long_time`, $k = 5$ but with error that turns a copy of `long_` into `lxng_`

Graph is not connected; largest component is not Eulerian



De Bruijn graph

Casting assembly as Eulerian walk is appealing, but not practical

Uneven coverage, sequencing errors, etc make graph non-Eulerian

Even if graph were Eulerian, repeats yield many possible walks

Kingsford, Carl, Michael C. Schatz, and Mihai Pop. "Assembly complexity of prokaryotic genomes using short reads." *BMC bioinformatics* 11.1 (2010): 21.

De Bruijn Superwalk Problem (DBSP) is an improved formulation where we seek a walk over the De Bruijn graph, where walk contains each read as a *subwalk*

Proven NP-hard!

Medvedev, Paul, et al. "Computability of models for sequence assembly." *Algorithms in Bioinformatics*. Springer Berlin Heidelberg, 2007. 289-301.

De Bruijn graph

In practice, De Bruijn graph-based tools give up on unresolvable repeats and yield fragmented assemblies, just like OLC tools.

But first we note that using the De Bruijn graph representation has **other advantages...**

De Bruijn graph

Say a sequencer produces **d** reads of length **n** from a genome of length **m**

$$\left. \begin{array}{l} \mathbf{d} = 6 \times 10^9 \text{ reads} \\ \mathbf{n} = 100 \text{ nt} \\ \mathbf{m} = 3 \times 10^9 \text{ nt} \approx \text{human} \end{array} \right\} \approx 1 \text{ sequencing run}$$

To build a De Bruijn graph in practice:

Pick k . Assume $k \leq$ shortest read length ($k = 30$ to 50 is common).

For each read:

For each k -mer:

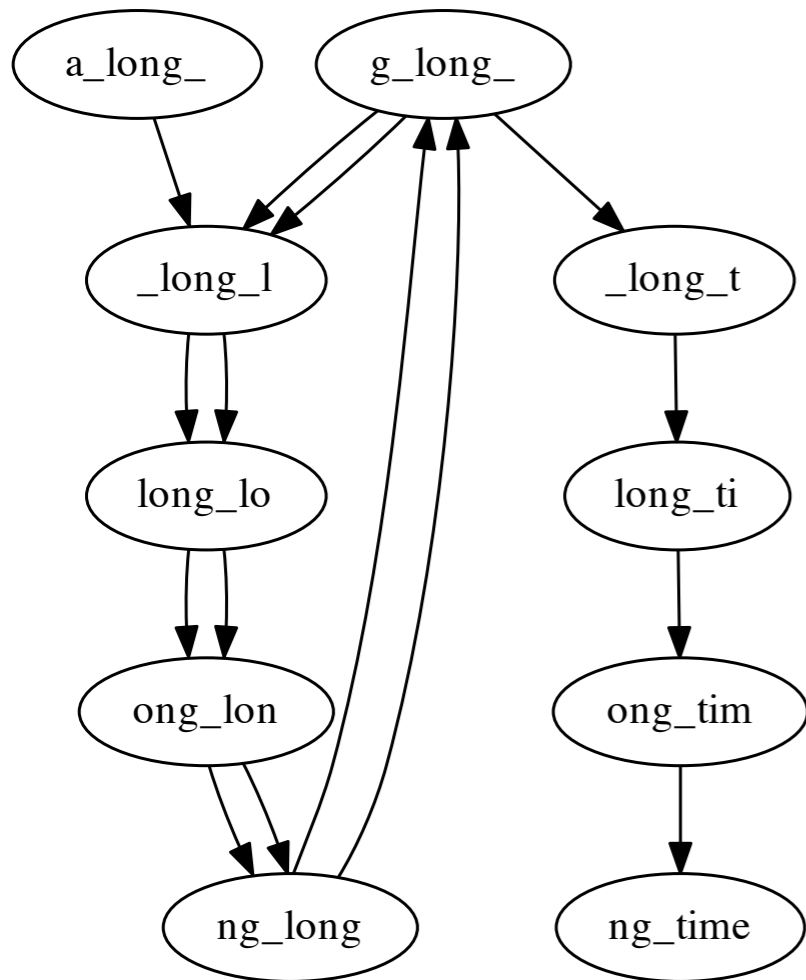
Add k -mer's left and right $k-1$ -mers to graph if not there already. Draw an edge from left to right $k-1$ -mer.

De Bruijn graph

Pick $k = 8$ Genome: a_long_long_long_time

Reads: a_long_long_long, ng_long_l, g_long_time

k-mers: a_long_l ng_long_l g_long_t
 _long_lo g_long_l _long_ti
 _long_lon _long_tim
 ong_long ong_time
 ng_long
 g_long_l
 _long_lo
 _long_lon
 ong_long



Given n (# reads), N (total length of all reads) and k , and assuming $k < \text{length of shortest read}$:

Exact number of k-mers: $N - n(k - 1) \quad O(N)$

This is also the number of edges, $|E|$

Number of nodes $|V|$ is at most $2 \cdot |E|$, but typically much smaller due to repeated $k-1$ -mers

De Bruijn graph

How much work to build graph?

For each k -mer, add 1 edge and up to 2 nodes

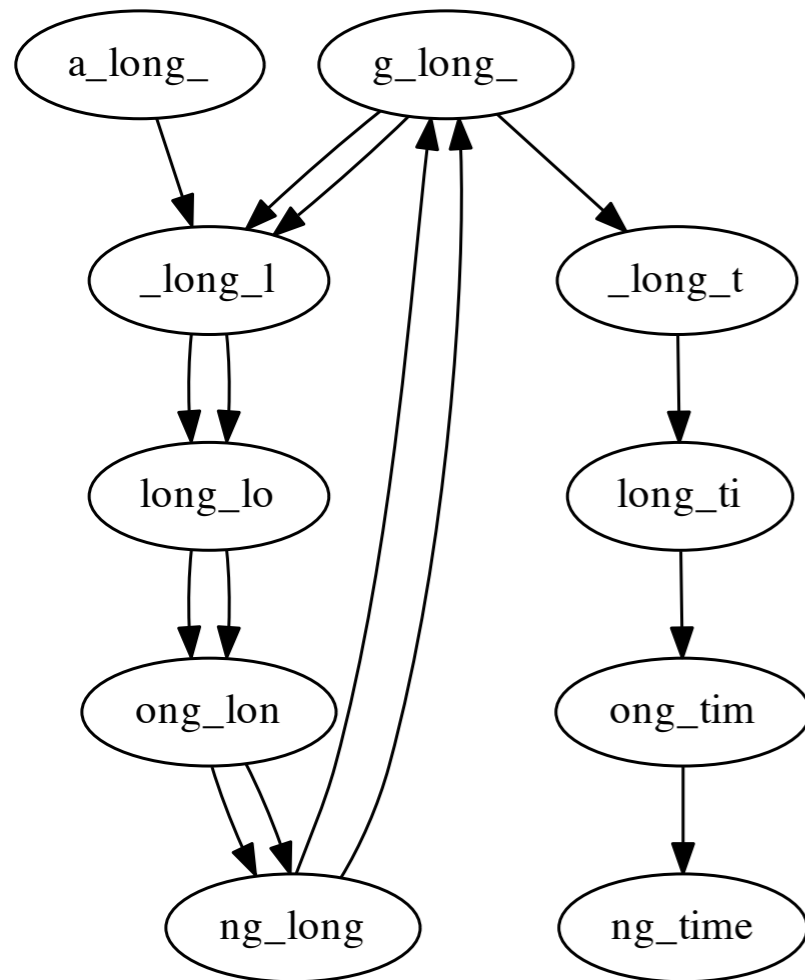
Reasonable to say this is $O(1)$ expected work

Assume hash map encodes nodes & edges

Assume $k-1$ -mers fit in $O(1)$ machine words,
and hashing $O(1)$ machine words is $O(1)$ work

Querying / adding a key is $O(1)$ expected work

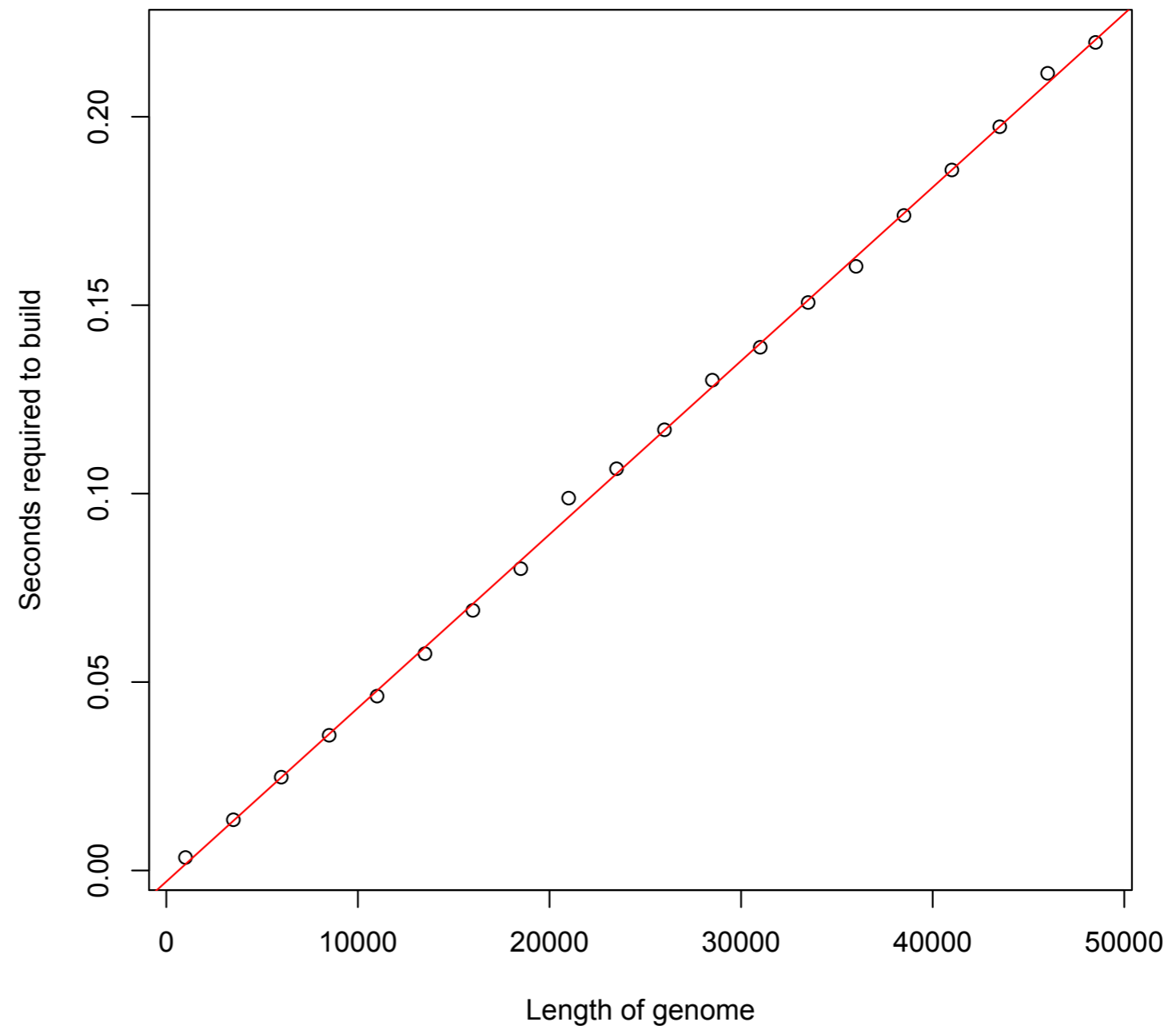
$O(1)$ expected work for 1 k -mer, $O(N)$ overall



De Bruijn graph

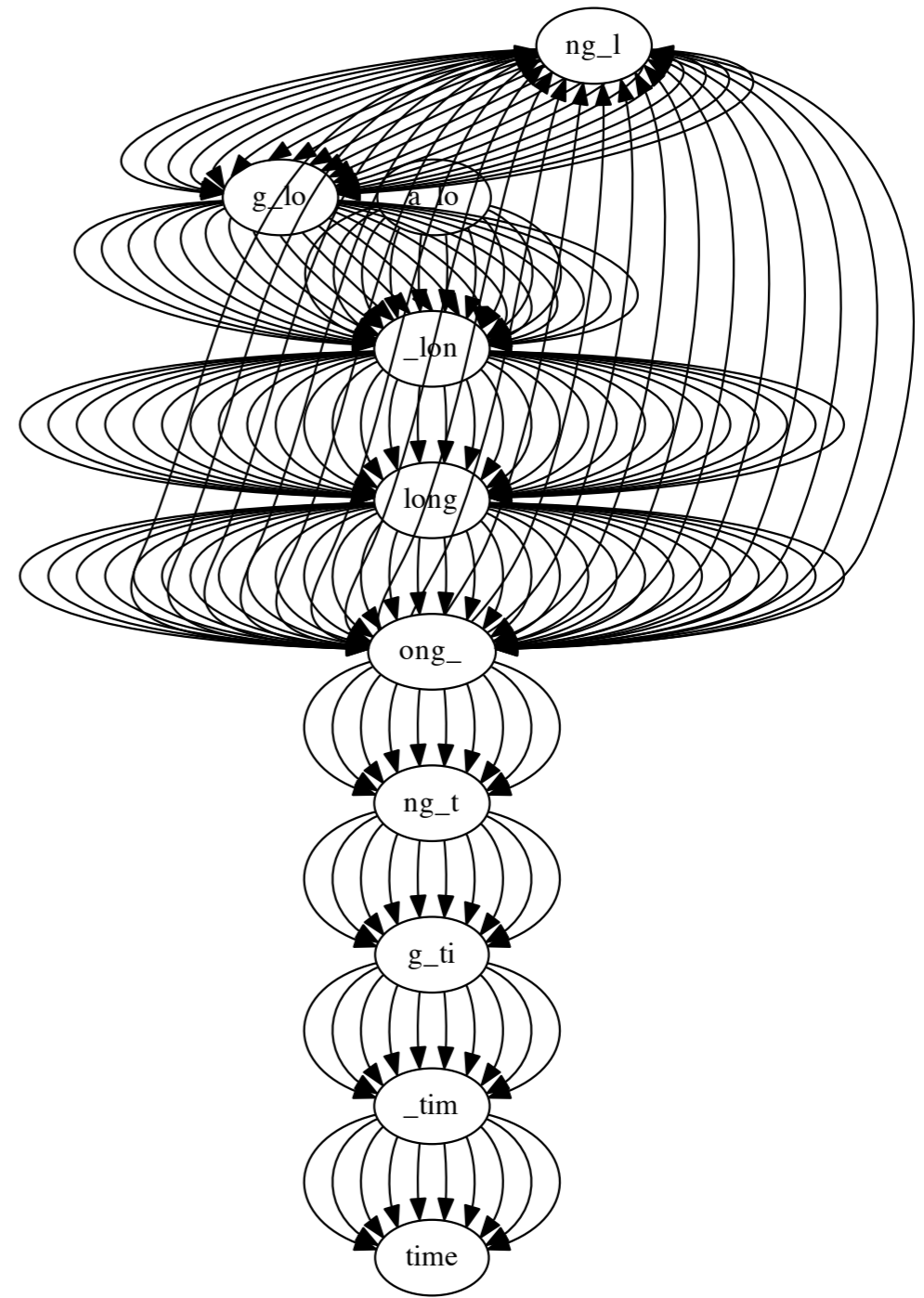
Timed De Bruijn graph construction applied to progressively longer prefixes of lambda phage genome, $k = 14$

$O(N)$ expectation appears to work in practice, at least for this small example



De Bruijn graph

In typical assembly projects,
average coverage is ~ 30 - 50



De Bruijn graph

Recall *average coverage*: average # reads covering a genome position

CTAGGCCCTCAATTTTT
CTCTAGGCCCTCAATTTTT
GGCTCTAGGCCCTCATTTTTT
CTCGGCTCTAGCCCCTCATT
TATCTCGACTCTAGGCCCTCA 177 nucleotides
TATCTCGACTCTAGGCC
TCTATATCTCGGCTCTAGG
GGCGTCTATATCTCG
GGCGTCGATATCT
GGCGTCTATATCT
GGCGTCTATATCTCGGCTCTAGGCCCTCATTTTTT 35 nucleotides

$$\text{Average coverage} = 177 / 35 \approx 7x$$

De Bruijn graph

In typical assembly projects, average coverage is $\sim 30 - 50$

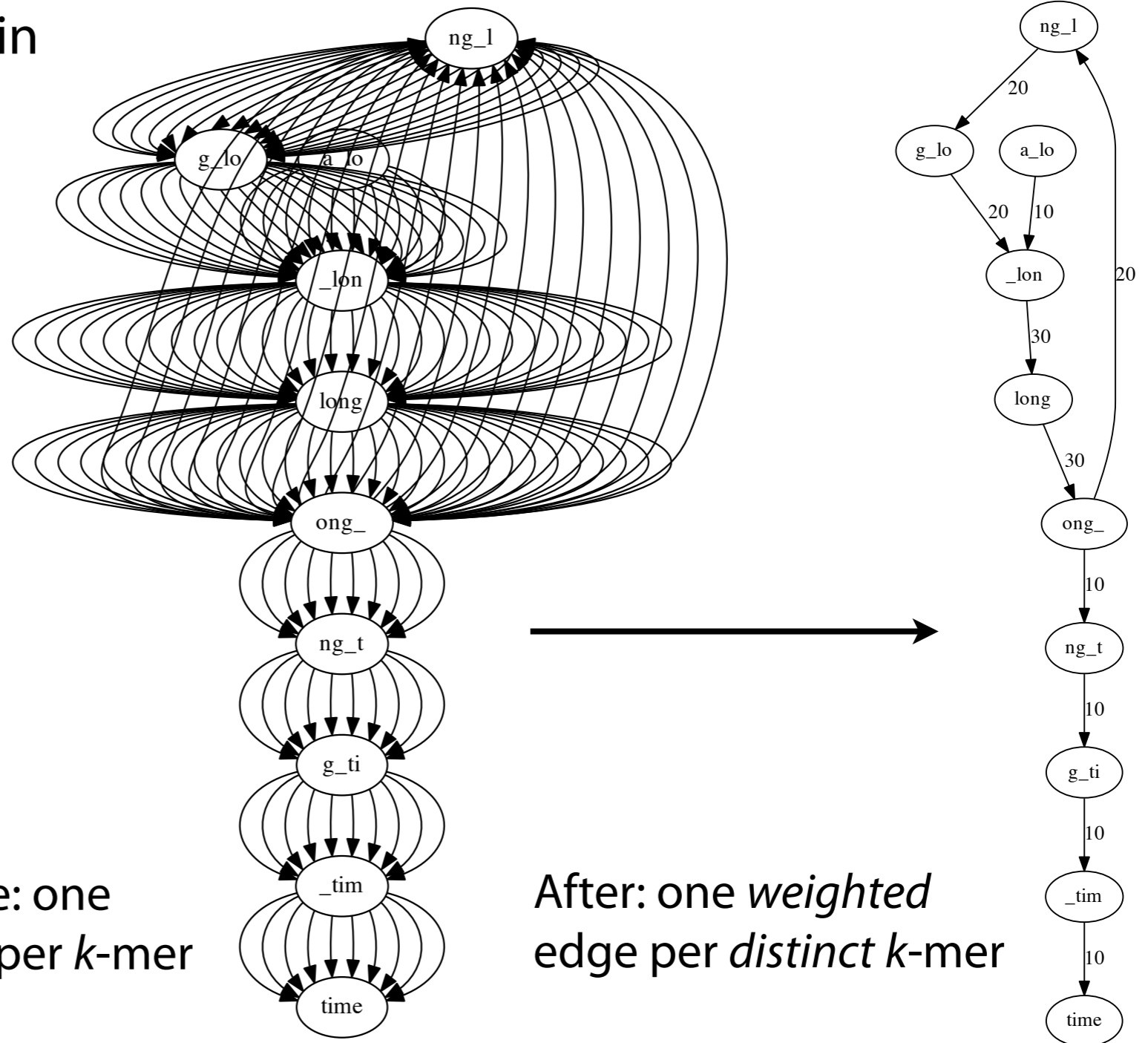
Same edge might appear in dozens of copies; let's use edge *weights* instead

Weight = # times k -mer occurs

Using weights, there's one *weighted* edge for each *distinct* k -mer

Before: one edge per k -mer

After: one *weighted* edge per *distinct* k -mer



De Bruijn graph

of nodes and edges both $O(N)$; N is total length of all reads

Say (a) reads are error-free, (b) we have one *weighted* edge for each *distinct* k -mer, and (c) length of genome is G

There's one node for each distinct $k-1$ -mer, one edge for each distinct k -mer

Can't be more distinct k -mers than there are k -mers in the genome; likewise for $k-1$ -mers

So # of nodes and edges are also both $O(G)$

Combine with the $O(N)$ bound and the # of nodes and edges are both $O(\min(N, G))$

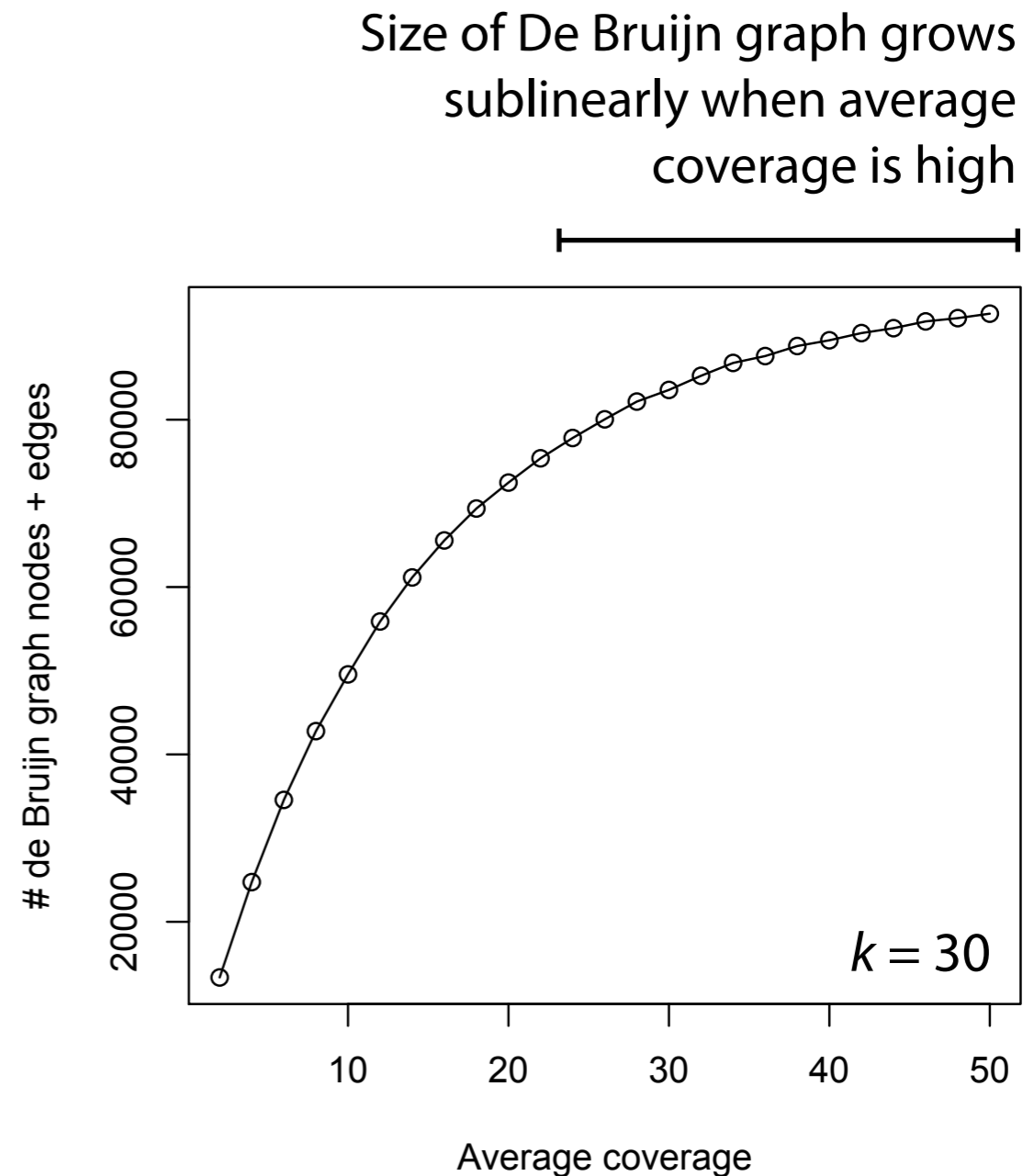
De Bruijn graph

With high average coverage, $O(G)$ size bound is advantageous

Genome = lambda phage (~ 48.5 K nt)

Draw random k -mers until target average coverage is reached (x axis)

Build De Bruijn graph and total the # of nodes and edges (y axis)



De Bruijn graph

What De Bruijn graph advantages have we discovered?

Can be built in $O(N)$ expected time, $N =$ total length of reads

With perfect data, graph is $O(\min(N, G))$ space; $G =$ genome length

Note: when average coverage is high, $G \ll N$

Compares favorably with overlap graph

Space is $O(N + a)$.

Fast overlap graph construction (suffix tree) is $O(N + a)$ time

a is $O(n^2)$

De Bruijn graph

What did we give up?

Reads are immediately split into shorter k -mers; can't resolve repeats as well as overlap graph

Only a very specific type of "overlap" is considered, which makes dealing with errors more complicated, as we'll see

Read coherence is lost. Some paths through De Bruijn graph are inconsistent with respect to input reads.

This is the OLC \leftrightarrow DBG tradeoff

Single most important benefit of De Bruijn graph is the $O(\min(G, N))$ space bound, though we'll see this comes with large caveats